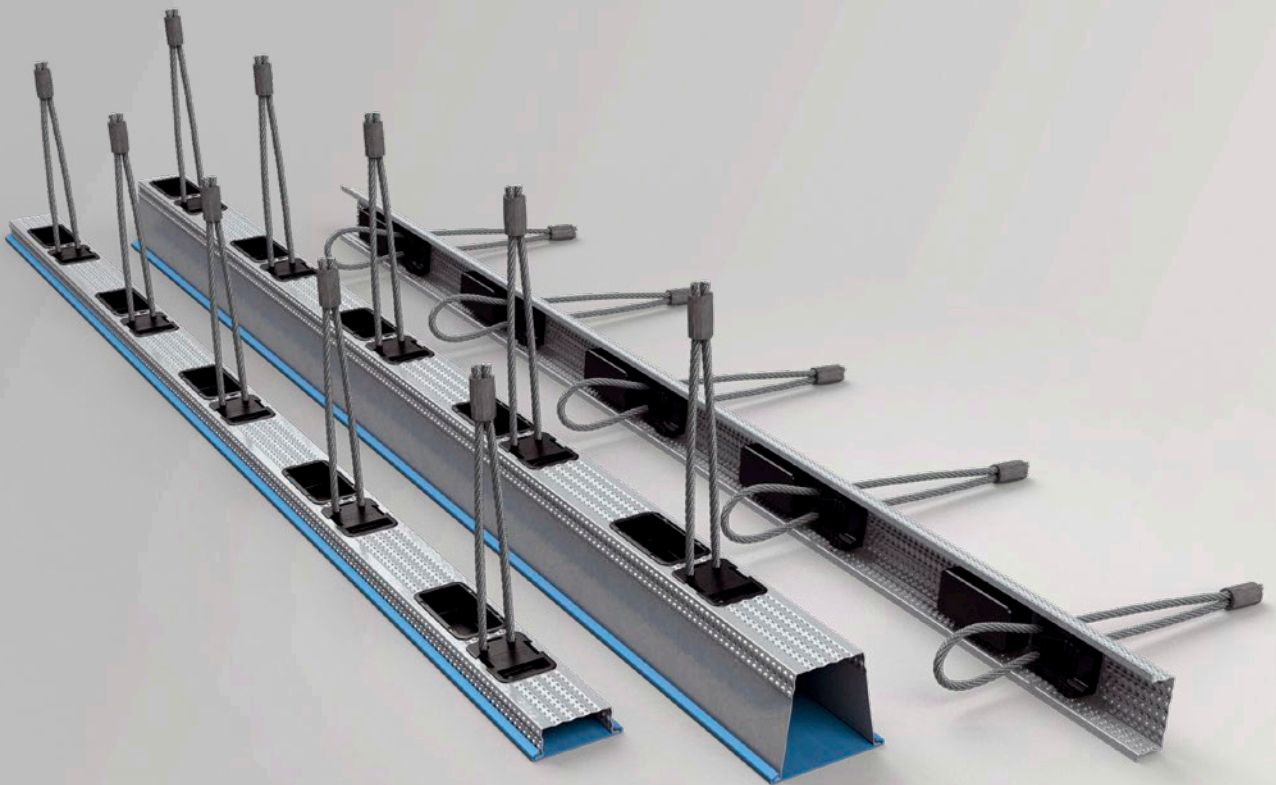


Power Duo System



VB3-V-001-en - 01/24 - PDF

Installation Instruction

Our products from the division BUILDING SOLUTIONS

SERVICES

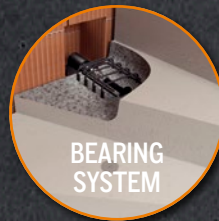
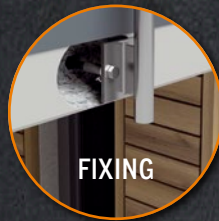
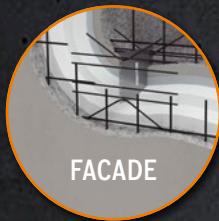
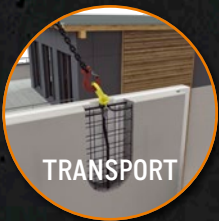
- » On-site tests -> we ensure that your requirements are properly covered by our planning.
- » Test reports -> for your safety and documentation.
- » Trainings -> the knowledge of your employees from planning and production is enhanced by our experts on site, online or via webinar.
- » Planning support -> latest design software, planning documents, CAD data and much more can be downloaded any time from www.philipp-group.de.

HIGH DEMANDS ON PRODUCT SAFETY AND PRACTICALITY

- » Close cooperation with notified bodies and - if necessary - approval of our solutions.

TECHNICAL DEPARTMENT

- » Our expert-team will support you at any time during your planning phase with detailed advice.

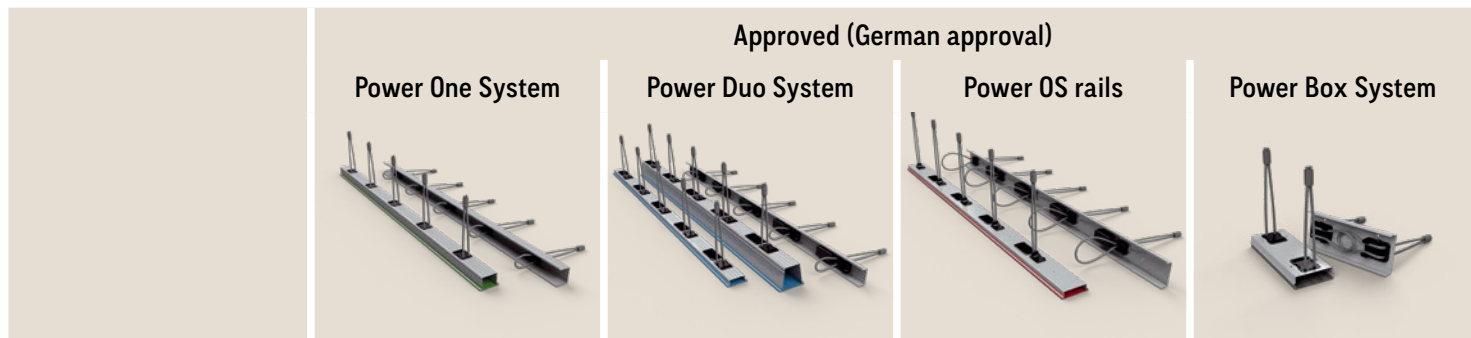


CONTENT

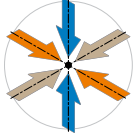
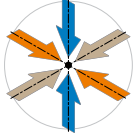
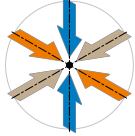
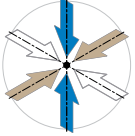



| | | |
|----------------------------------------------------|------|-----------|
| SYSTEM COMPONENTS | Page | 7 |
| System components and dimensions | Page | 7 |
| APPLICATION | Page | 8 |
| Dimensions of concrete unit | Page | 8 |
| Joint length | Page | 8 |
| Installation of the rails | Page | 8 |
| Range of applications | Page | 9 |
| APPLICATION IN CASE OF FIRE | Page | 10 |
| Construction | Page | 10 |
| Fire resistant walls | Page | 10 |
| Firewall | Page | 11 |
| DESIGN AND CONSTRUCTION | Page | 12 |
| DESIGN EXAMPLES | Page | 14 |
| REINFORCEMENT | Page | 18 |
| INSTALLATION | Page | 20 |
| Installation of the Power Duo rails | Page | 20 |
| PREPARATION FOR MOUNTING | Page | 22 |
| MOUNTING | Page | 23 |
| Mounting of the precast elements | Page | 23 |
| THIXO MORTAR | Page | 24 |
| Joint grouting with PHILIPP-BETEC® Thixo mortar | Page | 24 |
| Joint grouting with EuroGrout® Universalfüller | Page | 25 |
| GROUTING MORTAR | Page | 26 |
| Joint grouting with PHILIPP-BETEC® Grouting mortar | Page | 26 |
| Joint grouting with EuroGrout® Varix | Page | 27 |
| SOFTWARE / CAD | Page | 28 |
| GENERAL NOTES | Page | 29 |
| Check list | Page | 29 |
| Mortar consumption (BETEC® / EuroGrout®) | Page | 29 |

PHILIPP Connecting rails and loop systems

PRODUCT CHARACTERISTICS - OVERVIEW



LOAD DIRECTIONS / MAX. DESIGN RESISTANCES

| |  |  |  |  |
|---------------------------------------------------------------------------------------------------------|-----------------------------------------------------------------------------------|-----------------------------------------------------------------------------------|-------------------------------------------------------------------------------------|-------------------------------------------------------------------------------------|
|  $v_{Rd,II}$ (kN/m) | 60.0 | 90.0 | 80.0 | 105.0 |
|  $v_{Rd,\perp}$ (kN/m) | 37.5 | 37.5 | 35.7 | 28.6 |
|  Z_{Rd} (kN/loop) | 10.0 | 10.0 | 10.0 | - |

AREA OF APPLICATION (RECOMMENDED)

| | | | | |
|--------------------------------|--------|-------------------|--------|--------|
| Precast building | ✓ | ✓ | ✓ | ✓ |
| In-situ concrete constructions | - | - | ✓ | - |
| Wall / wall | ✓ | ✓ | ✓ | ✓ |
| Wall / wall (T-connection) | - | ✓ | ✓ | ✓ |
| Wall / column | - | ✓ | ✓ | - |
| Minimum wall thickness (cm) | 10 | 12 / 14 ① | 14 | 14 |
| Concrete strength precast unit | C30/37 | C25/30 ② / C30/37 | C25/30 | C30/37 |

TECHNICAL INFORMATION

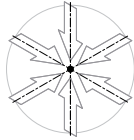
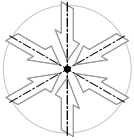
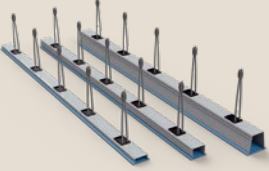
| | | | | |
|------------------------|-----------------------------------|------------------------------------|-----------------------------------|-----------------------------------|
| Technical basis | National technical approval (abZ) | National technical approval (abZ) | National technical approval (abZ) | National technical approval (abZ) |
| Max. fire resistance | F 180 | Firewall (REI 90-M) and also F 180 | F 180 | F 180 |
| Mortar grouting | Grouting mortar | Thixo- or grouting mortar | Normal weight concrete | Grouting mortar |
| Manufacturer of mortar | BETEC | BETEC / P&T | - | P&T |

① with P&T / ② with BETEC

Constructive

Connecting rails

Connecting loop



-

-

-

-

-

-

✓

✓

✓

✓

✓

✓

✓

✓

✓

✓

-

-

-

-

F 180

F 180

Mortar or normal weight concrete

Mortar or normal weight concrete

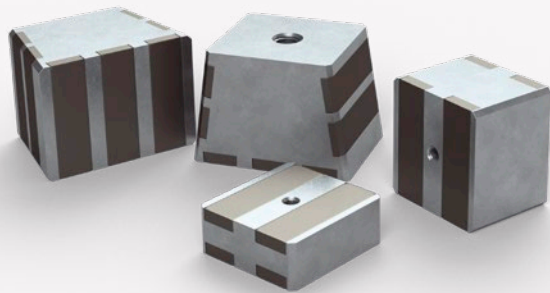
-

-

Accessories

for Connecting rails and loop systems

Magnetic fastener



Mortar



➔ BETEC Grouting

➔ BETEC Thixo



➔ EuroGrout Varix

➔ EuroGrout Universalfüller



➔ P&T Grouting mortar (PHILIPP VG)

PHILIPP Power Duo System

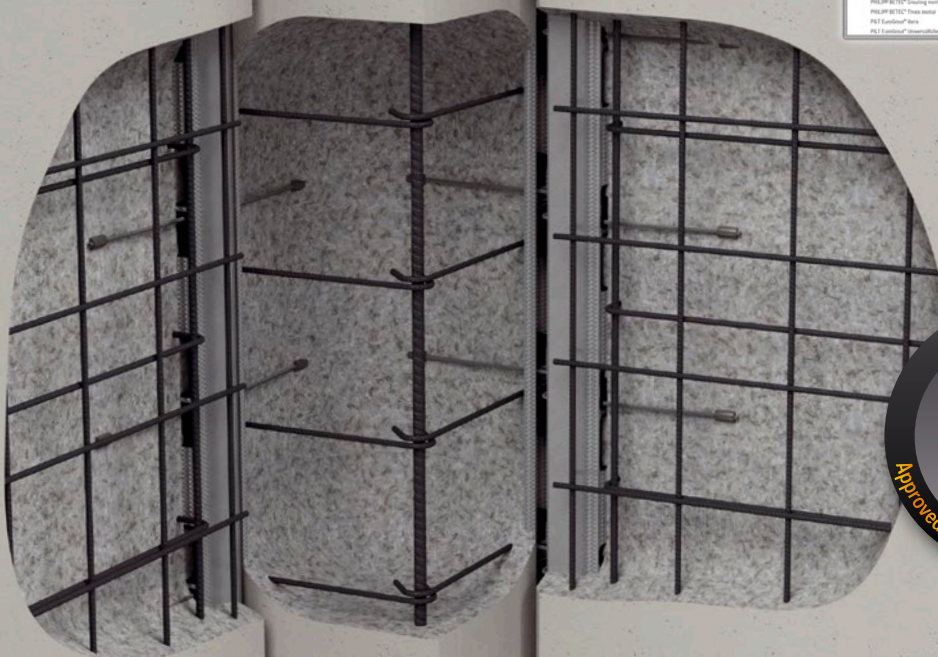
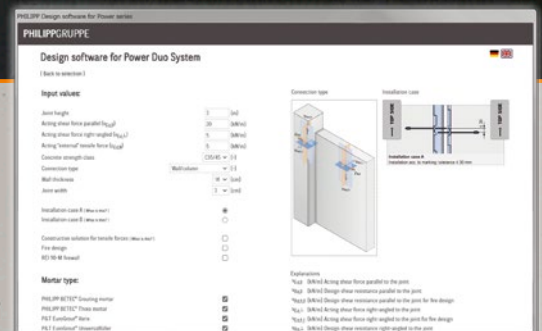
POWER DUO SYSTEM WITH GERMAN APPROVAL

YOUR BENEFITS AT A GLANCE:

- » Approved system of rails and mortar
- » Power Duo system can be combined with grouting or thixo mortar from two suppliers
- » Large tolerance range for installation and corresponding design values available.
- » Forces in all directions transferable
 - › Tensile forces, shear forces parallel and right-angled to the joint
- » Most economical application using thixo mortar
 - › saves sealing of the joint and grouting in sections
 - › saves time and reduces costs
- » Reduction of planning effort by simple and quick webbased design
- » Suitable for all fire protection requirements (from fire retardant to firewall)



Our design software you will find at www.philipp-software.de



SYSTEM COMPONENTS

SYSTEM COMPONENTS AND DIMENSIONS

The Power Duo System is used to connect precast concrete units where high static forces have to be transferred and proofed. It is able to transfer shear and tensile forces plane to the wall (stiffening, support reactions) as well as shear forces right-angled to the wall (wind pressure, earth pressure). A simple installation and the joint geometry pre-defined by the rail guarantee an easy application.

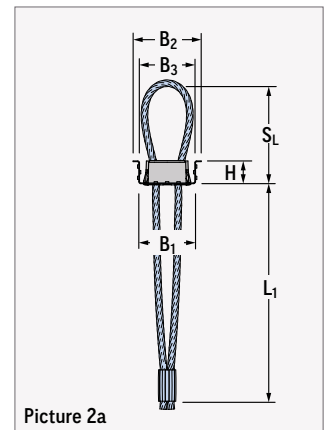
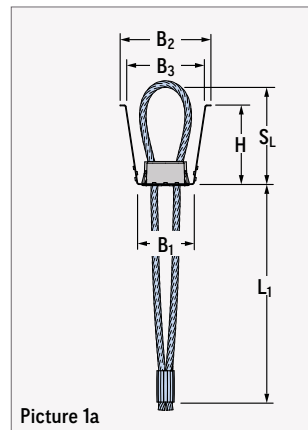
All components of the Power Duo System are optimally coordinated, it consists of two differently deep, profiled and galvanized channels.

Both channels are equipped with plastic recess formers and galvanized steel wire loops each with a distance of 250 mm. During concreting the plastic recess formers are filled and in combination with the profiled channel incl. the wire loops the system enables an excellent load bearing capacity.

Two rails are installed surface-flush on the opposite side of each particular concrete unit.

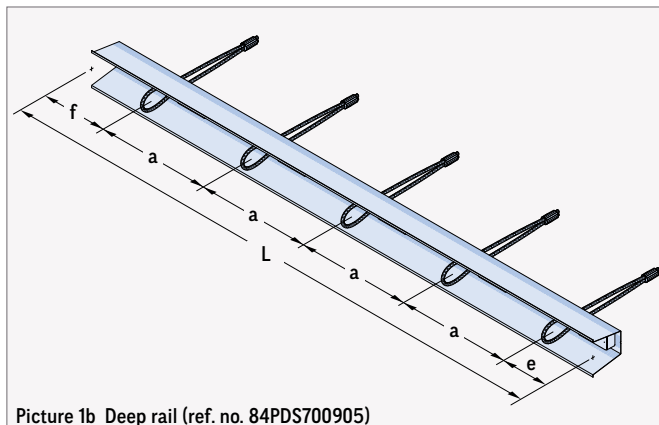
After demoulding, the plastic cover is removed and the loops are folded down to a right-angled position to the rail.

Due to the possibility to install wall elements directly between columns already positioned (e.g. with skeleton construction) the outcome of this is a significant reduction of time. Finally, the joints are filled with a belonging thixo mortar (page 24) or grouting mortar (page 26) to generate a force and form-fit connection.

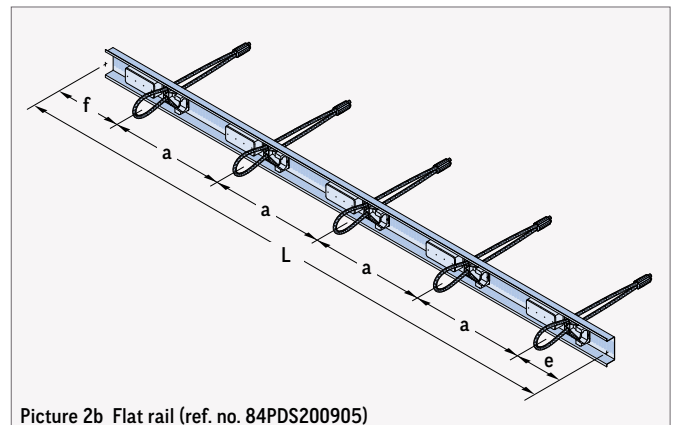


NOTE THE APPROVAL!

This Installation Instruction provides necessary technical information. In all cases, the requirements of the national German approval must be considered!



Picture 1b Deep rail (ref. no. 84PDS700905)



Picture 2b Flat rail (ref. no. 84PDS200905)

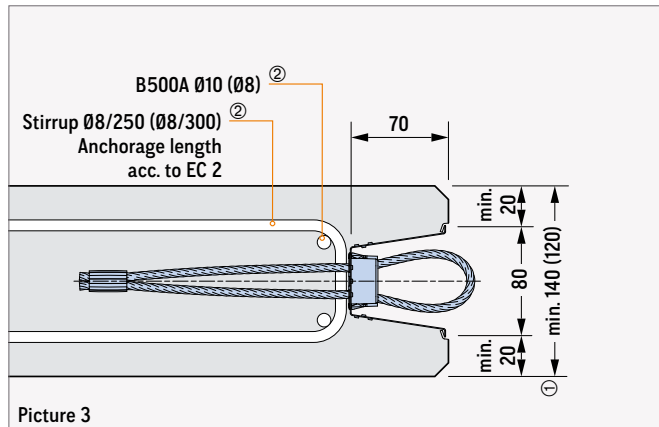
TABLE 1: DIMENSIONS

| Ref. no. | Dimensions [mm] | | | | | | | | | | Weight per rail [kg] |
|-------------|-----------------|----------------|----------------|----|------|----------------|----------------|-----|-----|-----|----------------------|
| | B ₁ | B ₂ | B ₃ | H | L | L ₁ | S _L | e | f | a | |
| 84PDS700905 | 50 | 80 | 70 | 70 | 1250 | 190 | 90 | 107 | 143 | 250 | 1.99 |
| 84PDS200905 | 50 | 60 | 50 | 20 | | | | | | | 1.34 |

APPLICATION

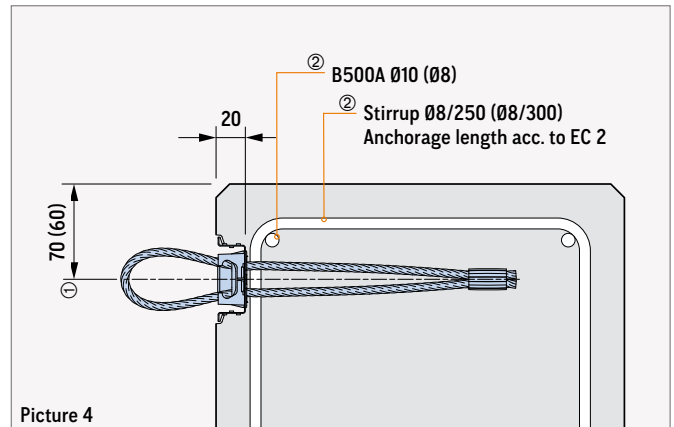
DIMENSIONS OF CONCRETE UNIT

Due to the required concrete cover of 20 mm for the Power Duo rails the min. resulting wall thickness is 120 mm (picture 3). In the following pictures only the required reinforcement for the Power Duo system is shown!



WALL THICKNESSES / REINFORCEMENT

- ① () Data in brackets: wall thickness < 140 mm only permissible with mortar EuroGrout Universalfüller / Varix.
- ② () Data in brackets: only for normal weight concrete C25/30



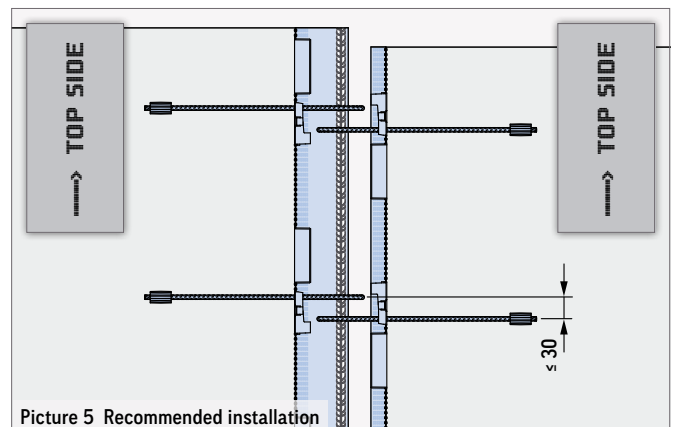
JOINT LENGTH

The minimum length of a joint must be 50 cm for the Power Duo system (picture 5, minimum 2 loops are required so that a strut-and-tie-model can work).

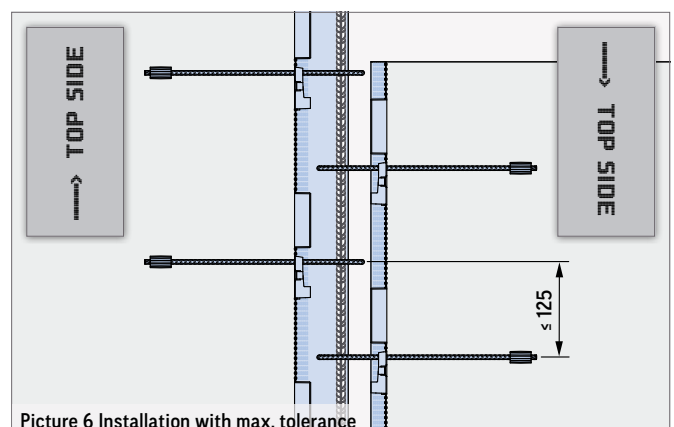
For an installation with increased tolerances (picture 6), the minimum length of the joint is 75 cm. So, it is possible to install the Power Duo rails in shorter parts (page 18).

INSTALLATION OF THE RAILS

In general, the Power Duo rails shall be installed with care for the direction (see marking on the rails). Nevertheless, load-bearing capacities are also available in case of a deviating installation with larger tolerances (see also pictures 14 and 15). Picture 5 shows the recommended installation of the Power Duo, the wire loops have a small tolerance in vertical direction.



In contrast, picture 6 shows an installation of the Power Duo rails with maximum tolerance as an example. Tolerances in vertical direction up to the maximum of half a wire loop distance (= 125 mm) are covered by a design value.

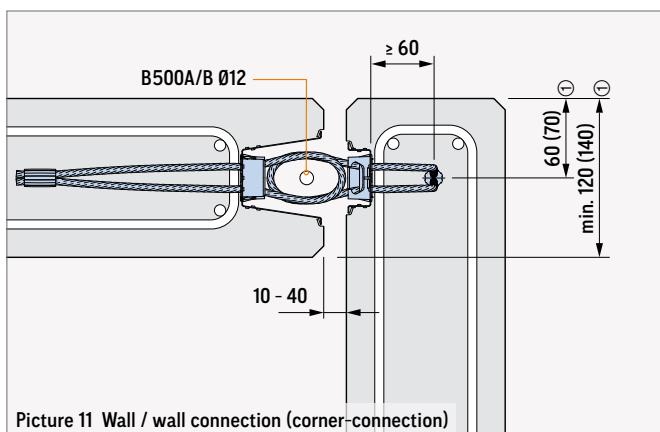
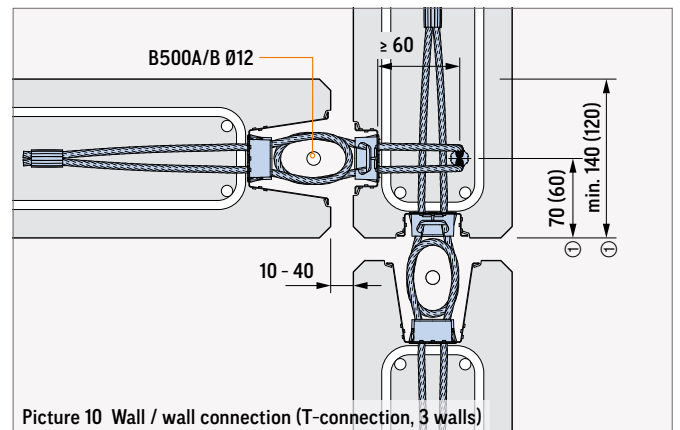
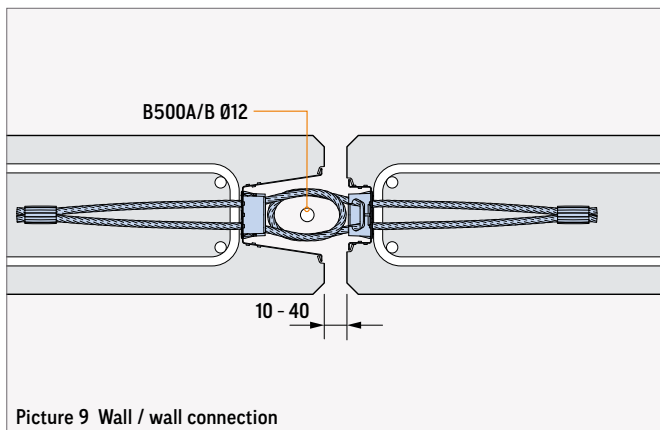
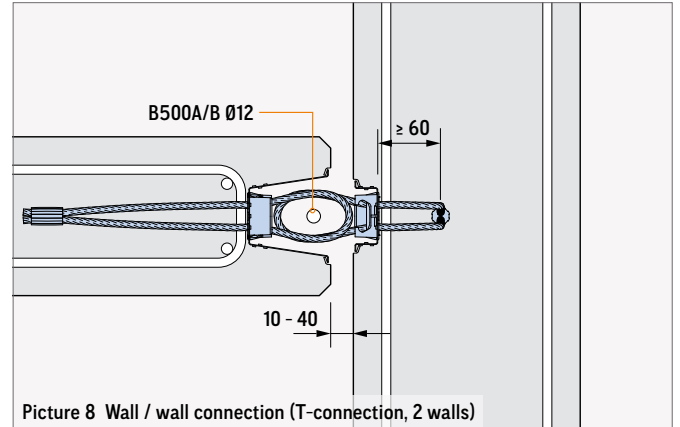
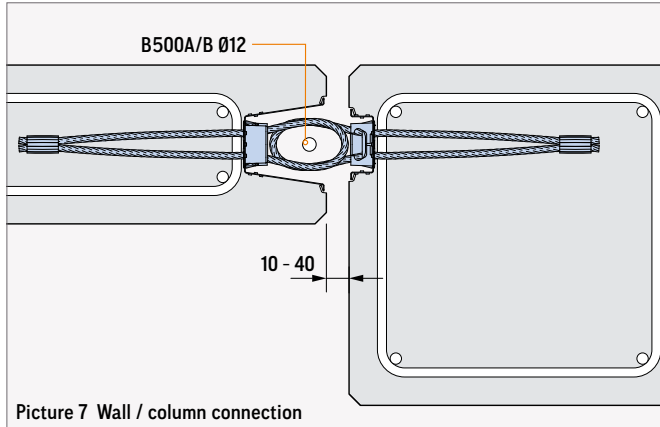


APPLICATION

RANGE OF APPLICATIONS

The Power Duo system can be used for various connections of reinforced concrete elements. It transfers primarily static shear forces parallel and right-angled to the wall as well as tensile forces from predominantly static loads. Only in case of direct weathering

on the connection between reinforced concrete elements it must be ensured for the application that the crack width in the joint is limited to $w \leq 0.3$ mm.



WALL THICKNESSES

① () Data in brackets: wall thicknesses < 140 mm only permissible with mortar EuroGrout® Universalfüller / Varix.

APPLICATION IN CASE OF FIRE

The Power Duo system can be used to meet all the requirements for fire resistance.

CONSTRUCTION

In addition to the range of application, the precast reinforced concrete connections using the Power Duo System may be considered as equivalent to the connections regulated in the German standard DIN 4102-4:2016-05, para. 5.12.5 to 5.12.7.

TABLE 2: FIRE RESISTANCE CLASS

| Requirement | acc. to Eurocodes or EN 13501 | acc. to DIN 4102 |
|------------------------|-------------------------------|------------------|
| Fire-retardant | R 30 | F 30 |
| | REI 30 | |
| | EI 30 | |
| Highly fire-retardant | R 60 | F 60 |
| | REI 60 | |
| | EI 60 | |
| Fire-resistant | R 90 | F 90 |
| | REI 90 | |
| | EI 90 | |
| Firewall (min. C30/37) | REI 90-M | Firewall |
| | EI 90-M | |

FIRE RESISTANT WALLS

For the design of a requirement listed in table 3, the temperature at the wire loops must be known first. This can be determined from the temperature profile acc. to EN 1992-1-2:2012, picture A.2.

With this temperature the reduction factor (picture 12) and the final load capacity of the wire loops (table 3) are resulting.

TABLE 3: DESIGN FOR FIRE RESISTANT WALLS

| Requirement | Fire resistance class | | Shear force | | Tensile force |
|-----------------------|-------------------------------|------------------|-----------------------------------------------|----------------------------------------------------|--------------------------------------------|
| | acc. to Eurocodes or EN 13501 | acc. to DIN 4102 | parallel to the joint $V_{Rd, }$ (kN/m) | right-angled to the joint $V_{Rd,\perp}$ (kN/m) | Z_{Rd} (kN/m) |
| Fire-retardant | R 30 | F 30 | $V_{Rd,fi, } = \alpha_{fi} \times V_{Rd, }$ | $V_{Rd,fi,\perp} = 2,5$ | $Z_{Rd,fi} = \alpha_{fi} \times Z_{Rd, }$ |
| | REI 30 | | | | |
| | EI 30 | | | | |
| Highly fire-retardant | R 60 | F 60 | | | |
| | REI 60 | | | | |
| | EI 60 | | | | |
| Fire-resistant | R 90 | F 90 | | | |
| | REI 90 | | | | |
| | EI 90 | | | | |

α_{fi} : reduction factor depending on the wire loop temperature, see diagram in picture 12.

$V_{Rd,||}$: Design value of the shear force bearing capacity parallel to the joint according to table 6

Z_{Rd} : Design value of the tensile force bearing capacity according to table 8 (4 loops per metre)

PROOFS:

SHEAR FORCE PARALLEL TO THE JOINT:

$$V_{Rd,fi,||} \geq V_{Ed,||}$$

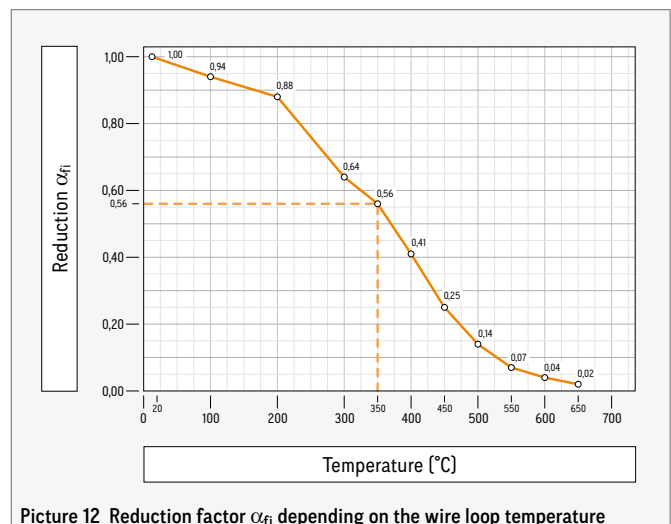
SHEAR FORCE RIGHT-ANGLED TO THE JOINT:

$$V_{Rd,fi,\perp} \geq V_{Ed,\perp}$$

TOTAL TENSILE FORCE:

$$Z_{Rd,fi} \geq Z_{Ed,N}$$

For a design example of a fire-resistant wall please refer to page 16.



Picture 12 Reduction factor α_{fi} depending on the wire loop temperature

APPLICATION IN CASE OF FIRE

FIREWALL

TABLE 4: DESIGN FOR FIREWALLS

| Requirement | Fire resistance class | | Shear force | | Tensile force |
|---------------------------|-------------------------------|------------------|------------------------------------------------|-------------------------------------------------------|-------------------|
| | acc. to Eurocodes or EN 13501 | acc. to DIN 4102 | parallel to the joint $V_{Rd,II}$ (kN/m) | right-angled to the joint $V_{Rd,\perp}$ (kN/m) | |
| Firewall (min. C30/37) | REI 90-M | Firewall | $V_{Rd,II}$ | $V_{Rd,fi,\perp} = 2.5$ | $Z_{Rd,fi} = 2.5$ |
| | EI 90-M | | | | |

$V_{Rd,II}$: Design value of the shear force bearing capacity parallel to the joint according to table 6

PROOF:

SHEAR FORCE PARALLEL TO THE JOINT:

SHEAR FORCE RIGHT-ANGLED TO THE JOINT:

TOTAL TENSILE FORCE:

$$V_{Rd,fi,II} \geq V_{Ed,II}$$

$$V_{Rd,fi,\perp} \geq V_{Ed,\perp}$$

$$Z_{Rd,fi} \geq Z_{Ed,N}$$

For a design example of a firewall please refer to page 17.

TABLE 5: SUITABLE MORTARS FOR THE CASE OF FIRE

| Requirement | Fire resistance class | | Mortar type | | | |
|---------------------------|-------------------------------|------------------|---------------------|---------------------------|-------------------------------|------------------------|
| | acc. to Eurocodes or EN 13501 | acc. to DIN 4102 | Grouting mortar | | Thixotropic mortar | |
| | | | EuroGrout® Varix | BETEC® Grouting mortar | EuroGrout® Universalfüller | BETEC® Thixo-Mörtel |
| Fire-retardant | R 30 | F 30 | ✓ | ✓ | ✓ | ✓ |
| | REI 30 | | | | | |
| | EI 30 | | | | | |
| Highly fire-retardant | R 60 | F 60 | ✓ | ✓ | ✓ | ✓ |
| | REI 60 | | | | | |
| | EI 60 | | | | | |
| Fire-resistant | R 90 | F 90 | ✓ | ✓ | ✓ | ✓ |
| | REI 90 | | | | | |
| | EI 90 | | | | | |
| Firewall (min. C30/37) | REI 90-M | Firewall | ✓ | ✓ | ✓ | ✓ |
| | EI 90-M | | | | | |

DESIGN AND CONSTRUCTION

The precast concrete units to be connected must be designed according to EC 2. They have to be made of normal weight concrete with a strength class of at least C25/30 acc. to EN 206.

It is part of the structural engineer to design the units and prove the joint connections according to the national German approval. When designing the bearing capacities of the concrete element connection with the Power Duo system, the type of the mortar used must be considered in advance.

In the approvals grouting mortars as well as thixotropic mortars

are specified. In table 6 shear loads parallel to the joint ($v_{Rd,||}$) and in table 7 shear loads right-angled to the joint ($v_{Rd,\perp}$) are listed acc. to the approvals.

If shear loads parallel and right-angled to the joint appear at the same time, the load bearing capacities have to be reduced according to picture 16 and 17.

Acting tensile forces shall be considered differently depending on the planned construction.

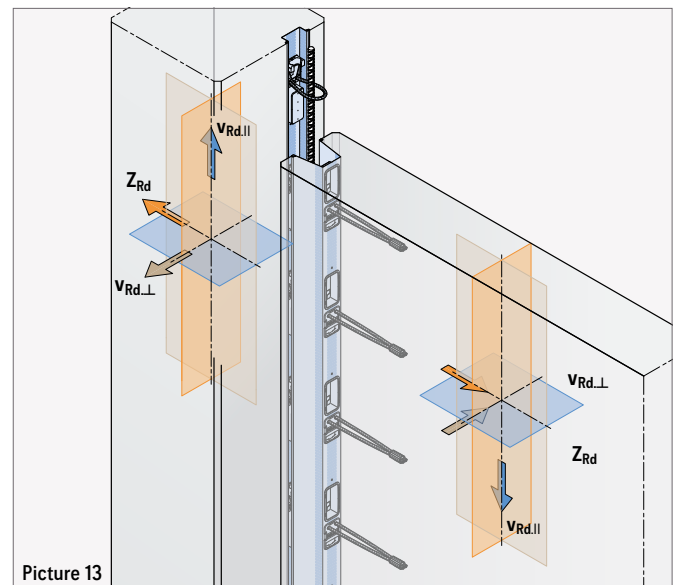
With the help of examples (from page 14), the design for different applications is easy to understand:

Example 1+2: Differences in tensile force transfer

Wall panel incl. load transfer of tensile forces with our without constructive solutions

Example 3+4: Fire requirements

Design for a fire-resistant wall or firewall



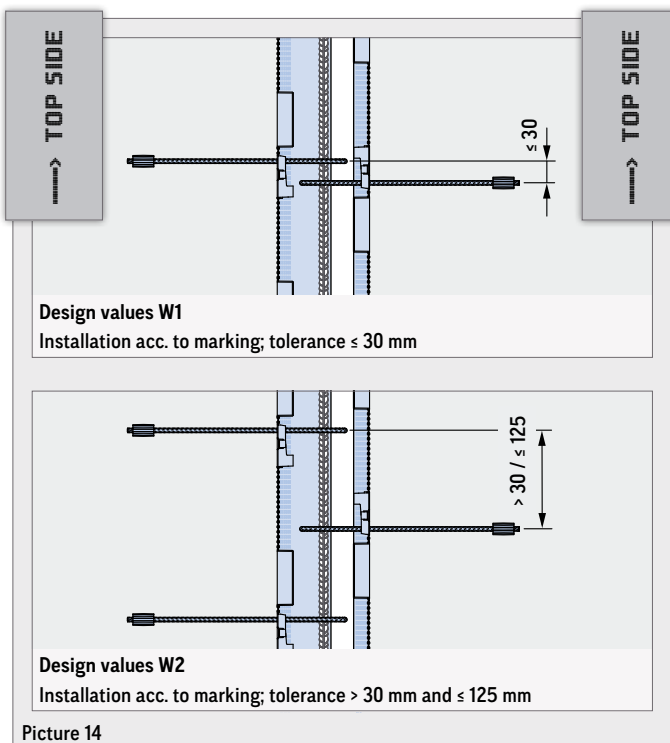
Picture 13



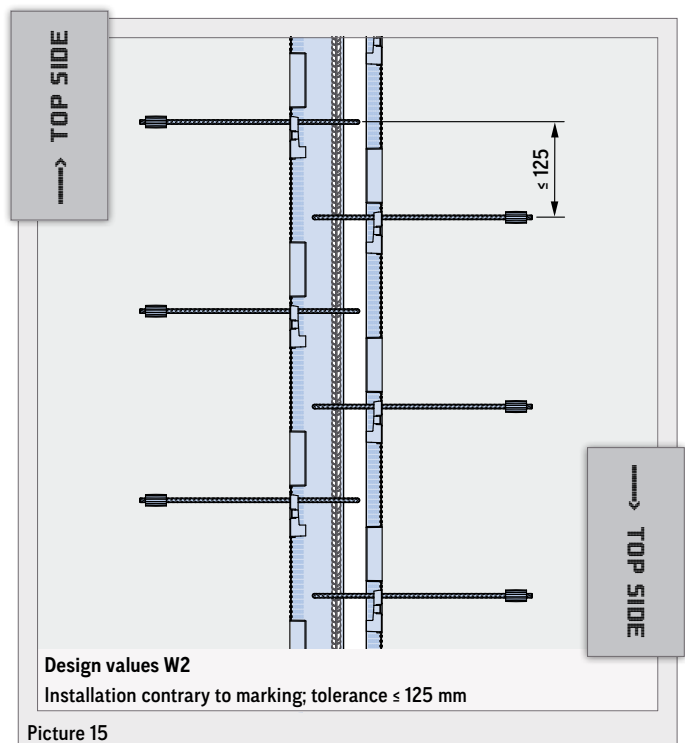
WALL THICKNESSES

For the design of the approved systems (in Germany), an easy-to-use and customer-oriented software is available on our website.

DESIGN VALUES FOR THE SHEAR FORCE BEARING CAPACITY $v_{Rd,||}$ AND TENSILE FORCE BEARING CAPACITY Z_{Rd}



Picture 14



Picture 15

DESIGN AND CONSTRUCTION

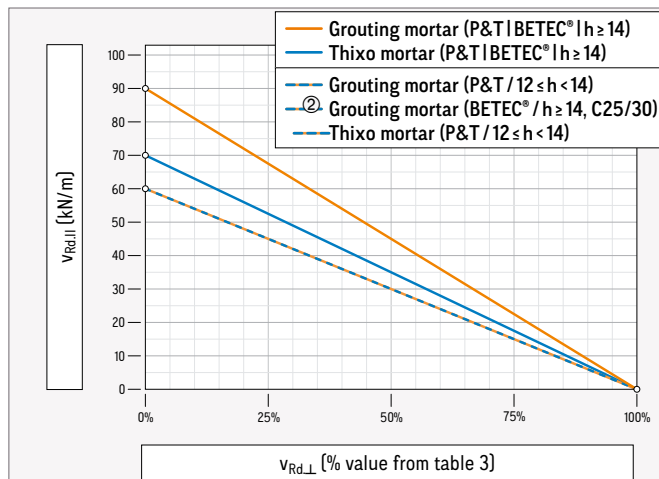
TABLE 6: DESIGN VALUES OF THE SHEAR FORCE BEARING CAPACITY PARALLEL TO THE JOINT

| Wall thickness h (cm) | Design value of the shear force bearing capacity $v_{Rd,II}$ (kN/m) | | | |
|-----------------------------|---------------------------------------------------------------------|--------------|------------------|--------------|
| | Design values W1 | | Design values W2 | |
| | Grouting mortar | Thixo mortar | Grouting mortar | Thixo mortar |
| $12 \leq h < 14$ ① | 60.0 | 60.0 | - | - |
| $h \geq 14$ | 90.0 (60.0 with C25/30) | 70.0 | 65.0 | 50.0 |

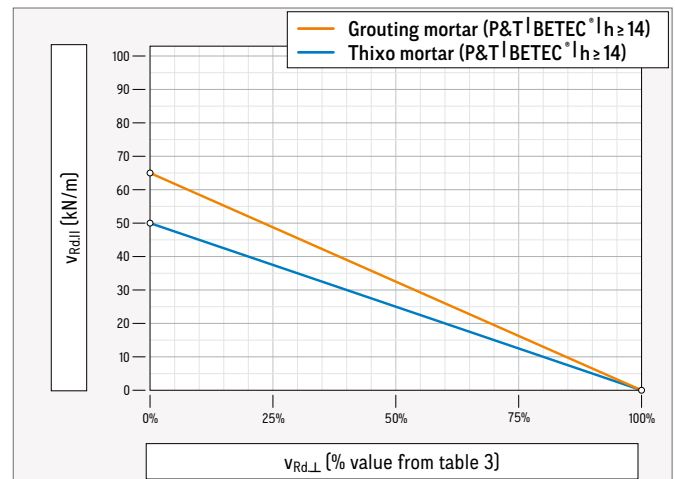
TABLE 7: DESIGN VALUES OF THE SHEAR FORCE BEARING CAPACITY RIGHT-ANGLED TO THE JOINT

| Wall thickness h (cm) | Design value of the shear force bearing capacity $v_{Rd,L}$ (kN/m) | | | | | | | | | |
|-----------------------------|--------------------------------------------------------------------|--------------|--------------------------|--------------|--------------------------|--------------|--------------------------|--------------|--------------------------|--------------|
| | Concrete strength C25/30 | | Concrete strength C30/37 | | Concrete strength C35/45 | | Concrete strength C40/50 | | Concrete strength C45/55 | |
| | Grouting mortar | Thixo mortar | Grouting mortar | Thixo mortar | Grouting mortar | Thixo mortar | Grouting mortar | Thixo mortar | Grouting mortar | Thixo mortar |
| 12 ① | - | - | 7.0 | 7.0 | 8.0 | 8.0 | 8.6 | 8.6 | 9.1 | 9.1 |
| 13 ① | - | - | 8.3 | 8.3 | 9.5 | 9.5 | 10.2 | 10.2 | 10.8 | 10.8 |
| 14 | 8.4 | - | 9.7 | 9.7 | 11.1 | 11.1 | 11.9 | 11.9 | 12.6 | 12.6 |
| 15 | 9.7 | - | 11.2 | 11.2 | 12.7 | 12.7 | 13.7 | 13.7 | 14.5 | 14.5 |
| 16 | 11.0 | - | 12.7 | 12.7 | 14.4 | 14.4 | 15.5 | 15.5 | 16.5 | 16.5 |
| 17 | 12.4 | - | 14.2 | 14.2 | 16.2 | 16.2 | 17.4 | 17.4 | 18.6 | 18.6 |
| 18 | 13.8 | - | 15.9 | 15.9 | 18.1 | 18.1 | 19.4 | 19.4 | 20.7 | 20.7 |
| 19 | 15.3 | - | 17.5 | 17.5 | 20.0 | 20.0 | 21.4 | 21.4 | 22.8 | 22.8 |
| 20 | 16.7 | - | 19.3 | 19.3 | 21.9 | 21.9 | 23.5 | 23.5 | 25.1 | 25.1 |
| 21 | 18.3 | - | 21.0 | 21.0 | 24.0 | 24.0 | 25.7 | 25.7 | 27.4 | 27.4 |
| 22 | 19.9 | - | 22.8 | 22.8 | 26.0 | 26.0 | 27.9 | 27.9 | 29.7 | 29.7 |
| 23 | 21.5 | - | 24.7 | 24.7 | 28.1 | 28.1 | 30.2 | 30.2 | 32.2 | 32.2 |
| 24 | 23.1 | - | 26.6 | 26.6 | 30.3 | 30.3 | 32.5 | 32.5 | 34.6 | 34.6 |
| 25 | 24.8 | - | 28.5 | 28.5 | 32.5 | 32.5 | 34.9 | 34.9 | 37.2 | 37.2 |
| 26 | 26.5 | - | 30.5 | 30.5 | 34.8 | 34.8 | 37.3 | 37.3 | 37.5 | 37.5 |
| 27 | 28.3 | - | 32.5 | 32.5 | 37.1 | 37.1 | 37.5 | 37.5 | 37.5 | 37.5 |
| 28 | 30.1 | - | 34.6 | 34.6 | 37.5 | 37.5 | 37.5 | 37.5 | 37.5 | 37.5 |
| 29 | 31.9 | - | 36.7 | 36.7 | 37.5 | 37.5 | 37.5 | 37.5 | 37.5 | 37.5 |
| ≥ 30 | 33.8 | - | 37.5 | 37.5 | 37.5 | 37.5 | 37.5 | 37.5 | 37.5 | 37.5 |

② C25/30 only permissible when using BETEC® grouting mortar



Picture 16 Design values W1
Interaction diagram of the shear forces parallel and right-angled to the joint



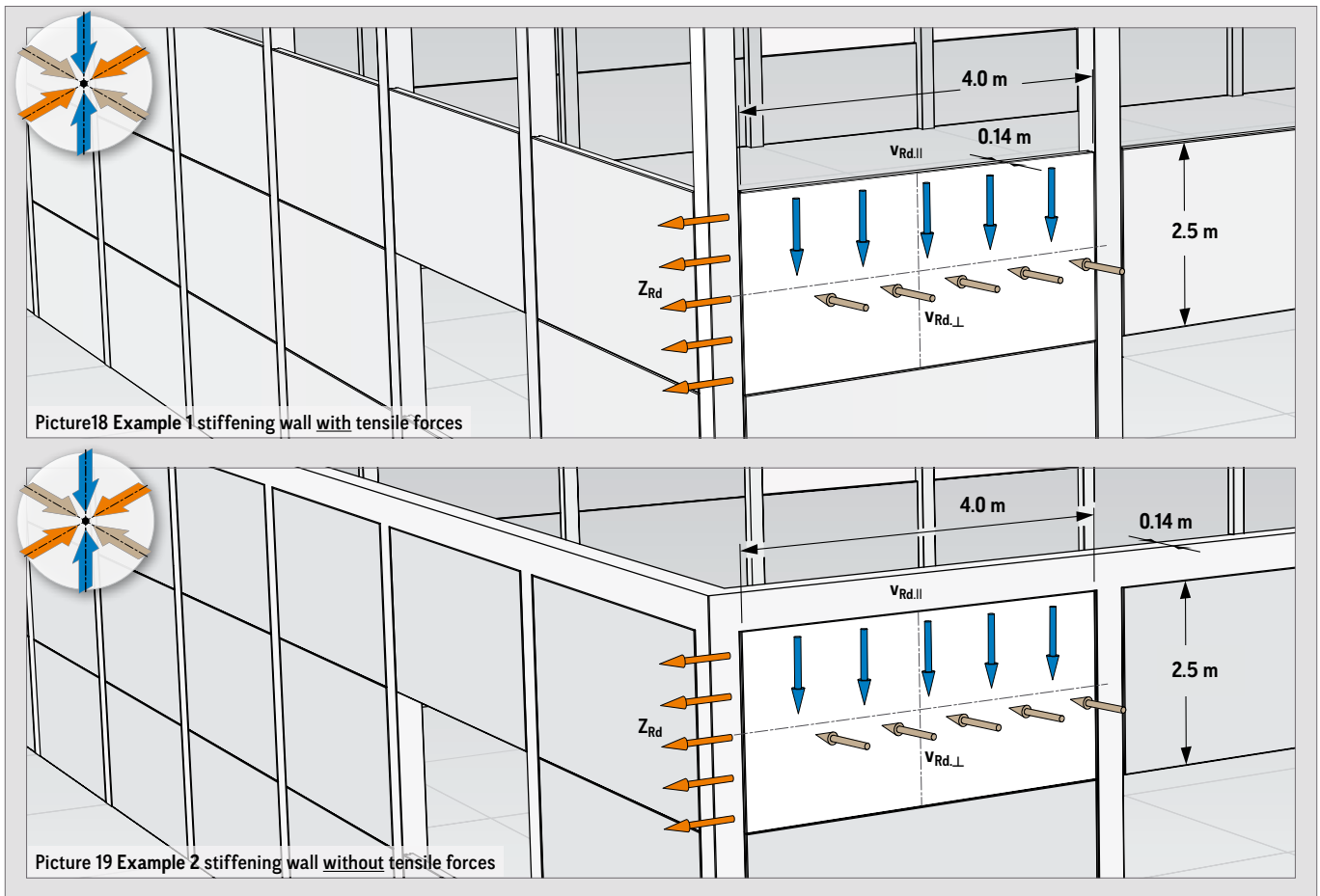
Picture 17 Design values W2 (larger tolerance range)
Interaction diagram of the shear forces parallel and right-angled to the joint

TABLE 8: DESIGN VALUE OF THE TENSILE FORCE BEARING CAPACITY PER WIRE LOOP

| Wall thickness h (cm) | Design value of the tensile force bearing capacity $Z_{Rd,N}$ (kN/loop) | | | |
|-----------------------------|-------------------------------------------------------------------------|--------------|------------------|--------------|
| | Design values W1 | | Design values W2 | |
| | Grouting mortar | Thixo mortar | Grouting mortar | Thixo mortar |
| $12 \leq h < 14$ ① | 6.5 | 6.5 | - | - |
| $h \geq 14$ | 10.0 | 7.5 | 7.2 | 5.4 |

① Wall thicknesses only possible with mortar EuroGrout® Universalfüller or EuroGrout® Varix

EXAMPLE 1/2 STIFFENING WALL WITH / WITHOUT TENSILE FORCES



The examples show a wall, which shall be installed as a stiffening member. The resulting shear forces parallel to the joint are taken by the Power Duo System with thixo mortar and added with shear forces right-angled to the joint caused by wind.

Example 1 shows a design without constructive solutions, in example 2 the tensile force component from the shear force parallel is taken by a constructive solution.

ACTIONS / BOUNDARY CONDITIONS:

- » From wind
 - › Building height ≤ 10 m, wind zone 3, terrain category II/III, according to EC 1
 - › $W_D = 1.5 \times (0.8 \text{ kN/m}^2 \times 1.0) = 1.2 \text{ kN/m}^2$
- » Loads caused by the shear wall: 10.68 kN/m
- » Wall thickness 14 cm
- » Concrete strength class C30/37
- » Tensile force: $z_{Ed,N} = 10 \text{ kN/m}$
- » Wall dimensions $L = 4.0$ m; $H = 2.5$ m
- » Installation of the rails according to marking, vertical tolerance ≤ 30 mm
- » Design resistances for thixo mortar:
 - › $v_{Rd,II} = 70 \text{ kN/m}$ (value from table 6, design value W1)
 - › $v_{Rd,L} = 9.7 \text{ kN/m}$ (value from table 7)

TABLE 9: COMPONENT OF TENSILE FORCE

| Load from | Shear force parallel $v_{Ed,II}$ | Shear force right-angled $v_{Ed,L}$ | External tensile force |
|----------------------------|-------------------------------------|----------------------------------------|------------------------|
| Component of tensile force | $z_{Ed,VII} = 0.5 \times v_{Ed,II}$ | $z_{Ed,V,L} = 0.25 \times v_{Ed,L}$ | $z_{Ed,N}$ |

EXAMPLE 1/2 STIFFENING WALL WITH / WITHOUT TENSILE FORCES

VERIFICATION OF SHEAR FORCES

$$v_{Ed,II} = 10.68 \text{ kN/m} \times 4.0 \text{ m} / 2 / 2.5 \text{ m} = 8.54 \text{ kN/m} \leq v_{Rd,II} = 70 \text{ kN/m}$$

$$v_{Ed,\perp} = (1.2 \text{ kN/m}^2 \times 2.50 \text{ m} \times 4.0 \text{ m}) / 2 / 2.5 \text{ m} = 2.4 \text{ kN/m per joint}$$

If both forces occur at the same time, the interaction (picture 16) must be considered:

Percentage of shear force parallel:

$$v_{Ed,II} / v_{Rd,II} = 8.54 \text{ kN/m} / 70 \text{ kN/m} = 12 \%$$

The linear interaction results in a permissible shear force right-angled to the joint: $100 \% - 12 \% = 88 \%$

The reduced shear force right-angled to the wall can be set to 88 %:

$$\text{red. } v_{Rd,\perp} = 0.88 \times 9.7 \text{ kN/m} = 8.5 \text{ kN/m} \geq v_{Ed,\perp} = 2.4 \text{ kN/m}$$

It is shown that the interaction of both shear forces can be absorbed.

VERIFICATION OF TENSILE FORCES

Design example 1: no load transfer of tensile forces by constructive solutions

The two shear forces result in individual tensile force components that act in the direction of the wire loops. The sum of these individual components (total tensile force) is compared to the tensile force resistance Z_{Rd} of the loops according to table 8.

Verification of the total force: $n \times Z_{Rd} \geq z_{Ed,VII} + z_{Ed,V\perp} + z_{Ed,N}$

n (1/m) : numbers of wire loops per metre of joint, $n = 4$ loops/metre

Z_{Rd} (kN) : design value of tensile force bearing capacity per metre acc. to table 8

$z_{Ed,N}$ (kN/m) : acting „external“ tensile force per metre of joint

$z_{Ed,VII}$ (kN/m) : expansion force resulting from shear force parallel per metre of joint

$z_{Ed,V\perp}$ (kN/m) : expansion force resulting from shear force right-angled per metre of joint

VERIFICATION OF TOTAL TENSILE FORCE:

$$n \times Z_{Rd} \geq z_{Ed,VII} + z_{Ed,V\perp} + z_{Ed,N} \quad (n = 4 \text{ loops per metre})$$

$$Z_{Rd} = 7.5 \text{ kN/loop (table 8)}$$

$$z_{Ed,N} = 10 \text{ kN/m}$$

$$z_{Ed,VII} = 0.5 \times 8.54 \text{ kN/m} = 4.27 \text{ kN/m}$$

$$z_{Ed,V\perp} = 0.25 \times 2.4 \text{ kN/m} = 0.6 \text{ kN/m}$$

$$30 \text{ kN/m} \geq 4.27 \text{ kN/m} + 0.6 \text{ kN/m} + 10 \text{ kN/m} = 14.87 \text{ kN/m}$$

Design example 2: Load transfer of the tensile forces by constructive solutions e.g. ring beam

Verification of total tensile force:

$$z_{Ed,ges} = z_{Ed,V\perp} + z_{Ed,N}$$

$z_{Ed,ges}$ (kN/m) : total tensile force per metre of joint

$z_{Ed,N}$ (kN/m) : acting „external“ tensile force per metre of joint

$z_{Ed,V\perp}$ (kN/m) : expansion force resulting from shear force right-angled per metre of joint

Verification of total tensile force:

$$z_{Ed,ges} = z_{Ed,V\perp} + z_{Ed,N} \quad (\text{kN/m})$$

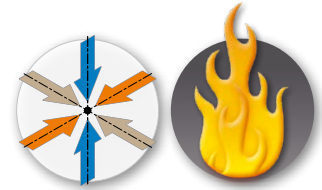
$$z_{Ed,V\perp} = 0.25 \times 2.4 \text{ kN/m} = 0.6 \text{ kN/m}$$

$$z_{Ed,N} = 10 \text{ kN/m}$$

$$z_{Ed,ges} = 0.6 \text{ kN/m} + 10 \text{ kN/m} = 10.6 \text{ kN/m}$$

The calculated tensile force must be absorbed e.g. by a ring beam or other constructive solutions.

EXAMPLE 3 – FIRE-RESISTANT WALL



ACTIONS / BOUNDARY CONDITIONS:

- » Wall thickness $d = 14 \text{ cm}$
- » Joint height $h = 3.0 \text{ m}$
- » Concrete strength class C30/37
- » Mortar: grouting mortar (design values table 6 and 8)
- » Outer shear force parallel to the joint $v_{Ed,II} = 40 \text{ kN/m}$ (e.g. stiffening forces)
- » Outer shear force right-angled: $v_{Ed,\perp} = 2 \text{ kN/m}$
- » Outer tensile force $z_{Ed,N} = 2 \text{ kN/m}$
- » No load transfer of tensile forces by constructive solutions!
- » Installation of the rails according to marking, vertical tolerance $\leq 30 \text{ mm}$
- » Requirements of a fire-resistant wall, one-sided fire exposure

VERIFICATION OF TENSILE AND SHEAR FORCE IN CASE OF FIRE

For the verification of fire-stressed connections the load bearing capacities according to table 10 may be used. Depending on the temperature acting on the wire loop (see temperature profile

EN 1992-1-2:2012-12, picture A.2) the design resistances shall be reduced by α_{fi} as shown in picture 21.

TABLE 10: LOAD BEARING CAPACITIES IN CASE OF FIRE

| Load from | Shear force parallel $v_{Ed,II}$ | Shear force right-angled $v_{Ed,\perp}$ | Total tensile force: $z_{Ed,VII} + z_{Ed,N}$ |
|--------------------------------------------------|-----------------------------------------------|--------------------------------------------|-------------------------------------------------|
| Design value of the load bearing capacity (kN/m) | $v_{Rd,fi,II} = \alpha_{fi} \times v_{Rd,II}$ | $2.5 = v_{Rd,fi,\perp}$ | $z_{Rd,fi} = \alpha_{fi} \times z_{Rd}$ |

DETERMINATION OF THE TEMPERATURE AT THE WIRE ROPE:

Distance x from the fire-stressed surface (picture 20):

- » Wall thickness $d = 140 \text{ mm}$
- » Width of the loop $b = 50 \text{ mm}$

$$x = (d - b) / 2 = (140 - 50) / 2 = 45 \text{ mm}$$

Reading the temperature at the wire rope θ (°C), according to diagram EN 1992-1-2, picture A.2

Determined temperature: θ (°C) = 350 °C $\rightarrow \alpha_{fi} = 0.56$ (picture 21)

ACTIONS

Tensile force component from shear force:

$$z_{Ed,VII} = 0.5 \times v_{Ed,II} = 0.5 \times 40 \text{ kN/m} = 20 \text{ kN/m}$$

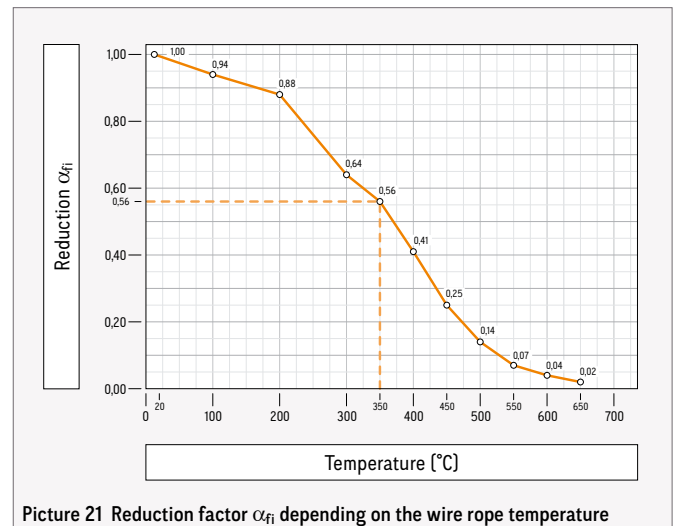
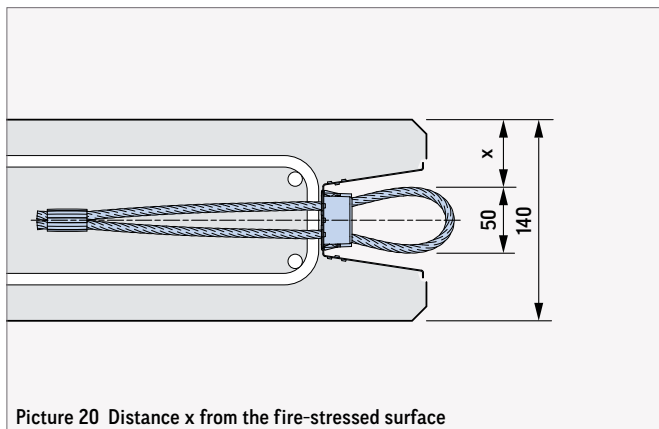
Total tensile force:

$$z_{Ed,fi} = z_{Ed,VII} + z_{Ed,N} = 20 + 2 = 22 \text{ kN/m}$$

REDUCED LOAD CAPACITIES IN CASE OF FIRE

$$v_{Rd,fi,II} = \alpha_{fi} \times v_{Rd,II} = 90 \text{ kN/m} \times 0.56 = 50.4 \text{ kN/m}$$

$$z_{Rd,fi} = \alpha_{fi} \times z_{Rd} = 40 \text{ kN/m} \times 0.56 = 22.4 \text{ kN/m}$$



VERIFICATIONS:

SHEAR FORCE PARALLEL TO THE JOINT:

$$v_{Rd,fi,II} = 50.4 \text{ kN/m} \geq 40 \text{ kN/m} = v_{Ed,II}$$

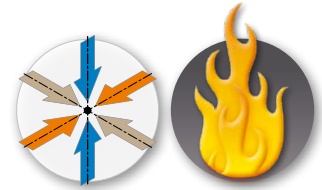
SHEAR FORCE RIGHT-ANGLED TO THE JOINT:

$$v_{Rd,\perp} = 2.5 \text{ kN/m} > 2 \text{ kN/m} = v_{Ed,\perp}$$

TOTAL TENSILE FORCE:

$$z_{Rd,fi} = 22.4 \text{ kN/m} \geq 22 \text{ kN/m} = z_{Ed}$$

EXAMPLE 4 - FIREWALL



ACTIONS / BOUNDARY CONDITIONS:

- » Wall thickness $d = 14 \text{ cm}$
- » Joint height $h = 10 \text{ m}$
- » Concrete strength min. C30/37
- » Mortar: thixo mortar ($v_{Rd,II} = 70 \text{ kN/m}$, table 6)
- » Outer shear force parallel to the joint $v_{Ed,II} = 60 \text{ kN/m}$
- » Outer shear force right-angled: $v_{Ed,\perp} = 2 \text{ kN/m}$
- » Outer tensile force $z_{Ed,N} = 2 \text{ kN/m}$
- » No load transfer of tensile forces by constructive solutions!
- » Installation of the rails according to marking, vertical tolerance $\leq 30 \text{ mm}$
- » Requirements for firewall, one-sided exposure

VERIFICATION OF THE TENSILE AND SHEAR FORCE IN CASE OF FIRE

For the verification of load bearing, fire-stressed connections the load bearing capacities according to table 11 may be used. Please note that both the shear force right-angled to the joint and the

total tensile force in the system are limited to a maximum of 2.5 kN/m each.

TABLE 11: LOAD BEARING CAPACITIES FOR FIREWALLS

| Load from | Shear force parallel $v_{Ed,II}$ | Shear force right-angled $v_{Ed,\perp}$ | Tensile force z_{Ed} |
|--------------------------------------------------|-------------------------------------|--------------------------------------------|---------------------------|
| Design value of the load bearing capacity (kN/m) | $v_{Rd,II}$ | $2.5 = v_{Rd,fi,\perp}$ | $2.5 = z_{Rd,fi}$ |

VERIFICATION:

SHEAR FORCE PARALLEL TO THE JOINT:

$$v_{Rd,II} = 70 \text{ kN/m} \geq 60 \text{ kN/m} = v_{Ed,II}$$

SHEAR FORCE RIGHT-ANGLED TO THE JOINT:

$$v_{Rd,fi,\perp} = 2.5 \text{ kN/m} \geq 2 \text{ kN/m} = v_{Ed,\perp}$$

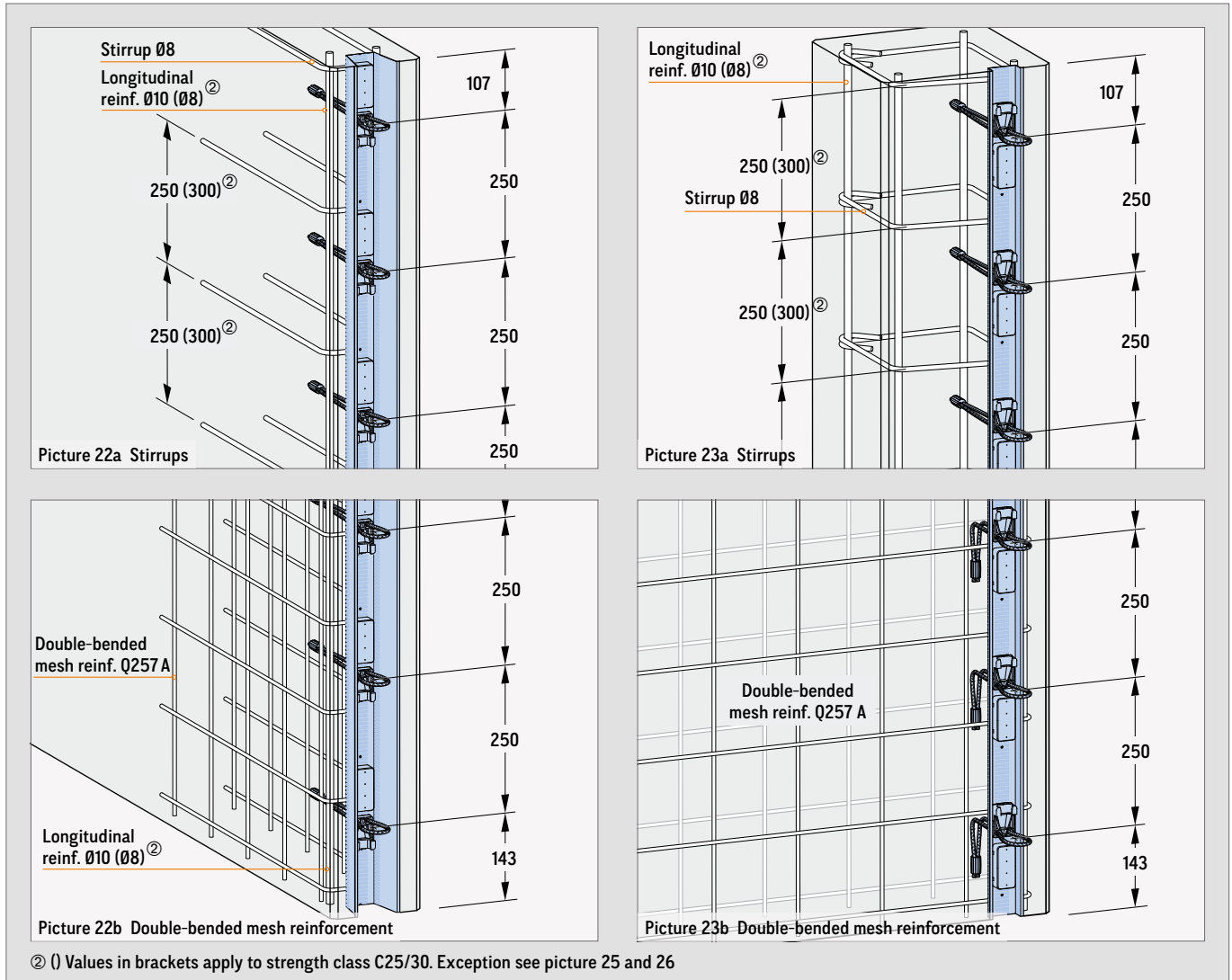
TOTAL TENSILE FORCE:

$$z_{Rd,fi} = 2.5 \text{ kN/m} \geq 2 \text{ kN/m} = z_{Ed}$$

REINFORCEMENT

If the Power Duo rails are installed flush and according to the recommended marking all requirements of the German approval for the edge distances are met (picture 22a, 22b, 23a, 23b). In the range of the Power Duo rails the precast elements must be

provided with a minimum reinforcement. This reinforcement shall be stirrups $\varnothing 8/25$ / longitudinal reinforcement $2\varnothing 10$ ($\varnothing 8/30$ / $2\varnothing 8$ with C25/30) as per picture 22a, 23a.



REINFORCEMENT

Alternatively, the stirrups can be replaced by a comparable mesh reinforcement (picture 22b and 23b).

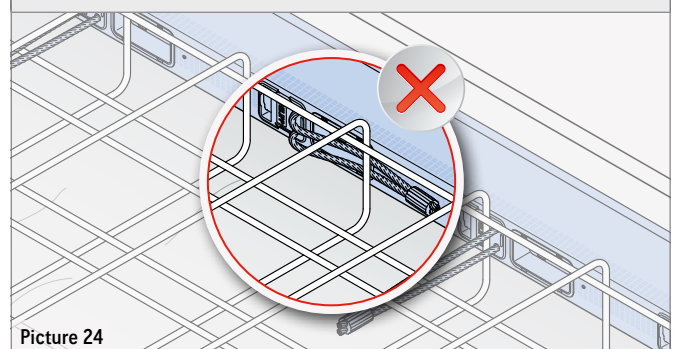
This requirement is fulfilled by a mesh reinforcement e.g. type Q257 A (equal 2.57 cm²/m). Existing reinforcement can be taken into account.

The anchorage of the connecting loops in the precast element must be aligned in an angle of 90° to the Power Duo rails. With a vertical installation in the mould the stability of the rope ends in the precast unit shall be ensured by tying them to the reinforcement with wire.



END ANCHORAGE OF THE WIRE ROPE

A bending of the end anchorage by the reinforcement is not permissible.



Picture 24

REINFORCEMENT

BENDING OF THE END ANCHORAGE

If the anchorage of the wire loop is bent, attention must be paid that the horizontal anchorage part is ≥ 60 mm (picture 25 and 26). Depending on the installation situation, additional reinforcement shall be provided as shown in picture 25 or 26.

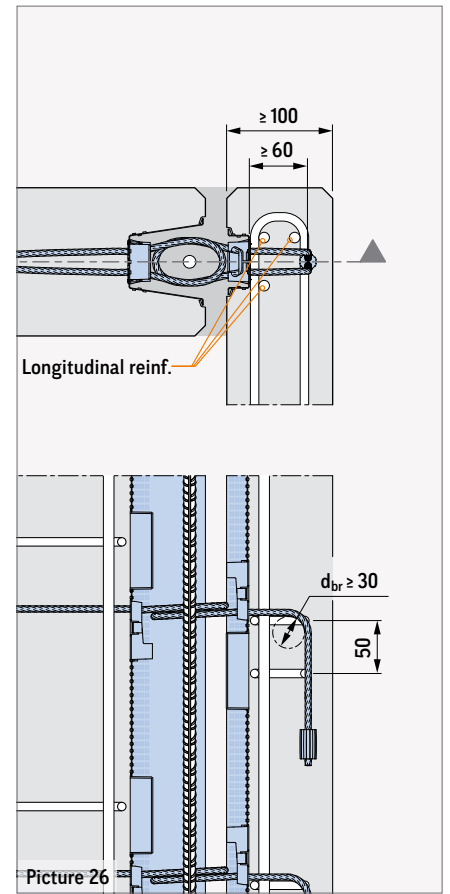
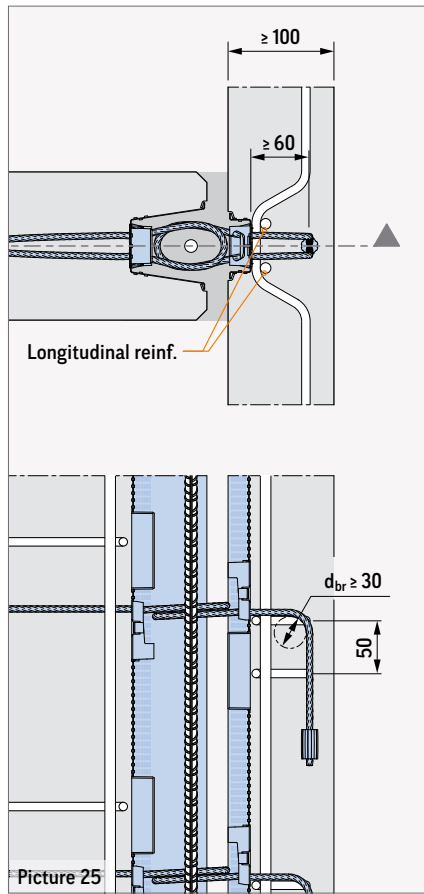


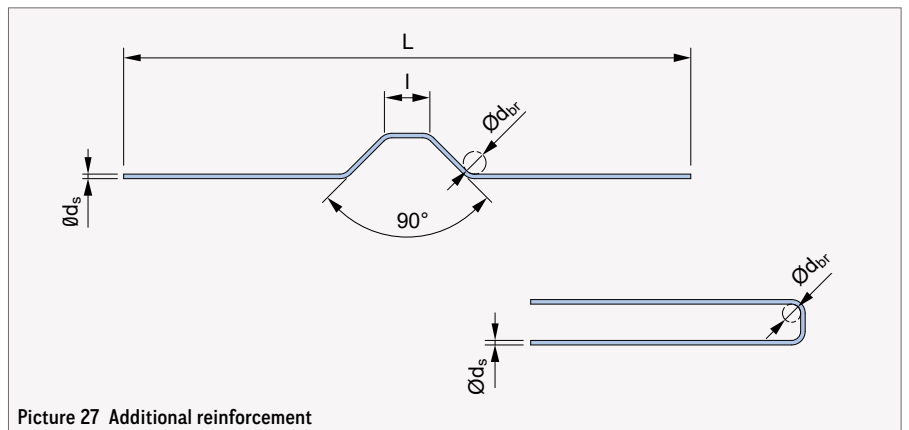
TABLE 12: REINFORCEMENT (B500A/B)

| $\varnothing d_s$ (mm) | L (mm) | l (mm) | $\varnothing d_{br}$ (mm) |
|---------------------------|-----------|-----------|------------------------------|
| Ø8 | 1000 | 70 | Ø32 |



ADDITIONAL REINFORCEMENT

For T- and edge connections with a bended end anchorage no reduced reinforcement, stirrups Ø8/300, is possible with concrete strength C25/30 (see picture 22a). The longitudinal bars shown can be selected for C25/30 with Ø8 instead of Ø10 mm.



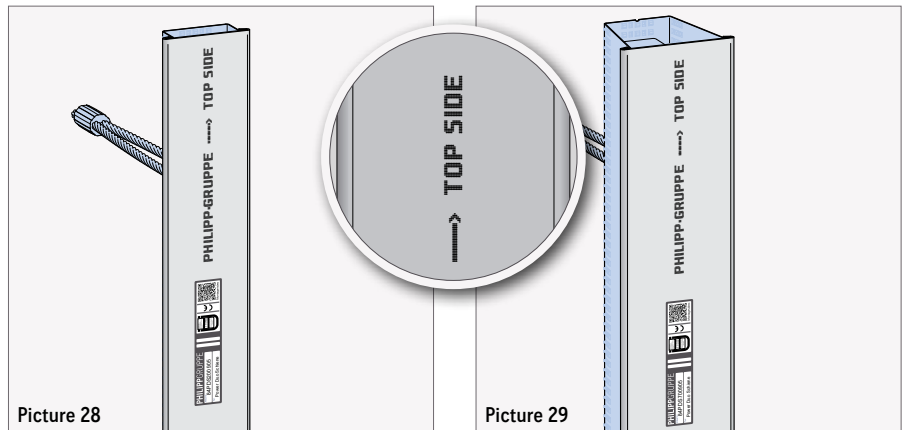
Picture 27 Additional reinforcement

INSTALLATION

INSTALLATION OF THE POWER DUO RAILS

The Power Duo System consists of a flat and a deep rail. An identification for the installation direction is visible on the plastic covering.

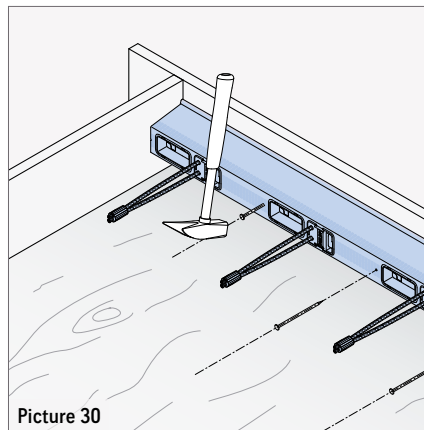
Both rails are labelled with manufacturer, product name and CE mark.



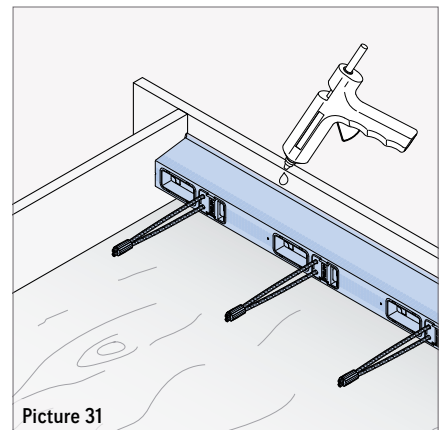
Picture 28

Picture 29

The Power Duo rails can be fixed to the formwork by nailing as well as hot bonding (picture 30 and 31).

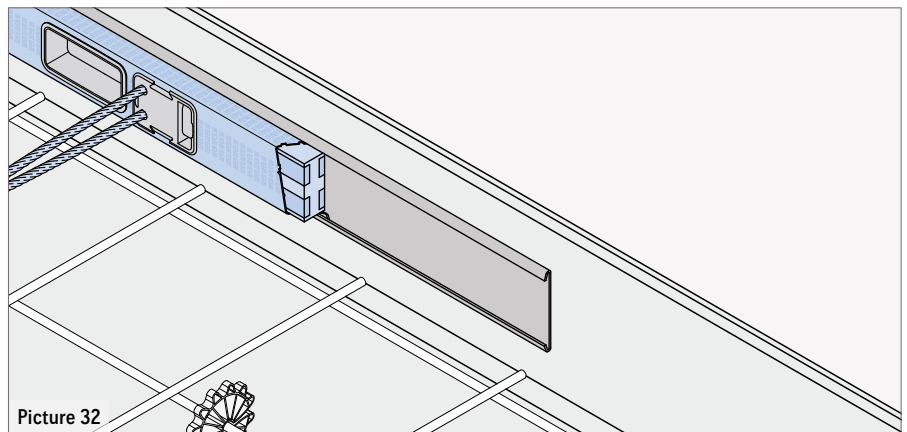


Picture 30



Picture 31

By using the magnetic fixations the PHILIPP Power Duo rails can be fixed to steel formworks fast and easily.



Picture 32



MAGNETIC FASTENER

For more information about the Magnetic fastener please refer to the corresponding Application Instruction.

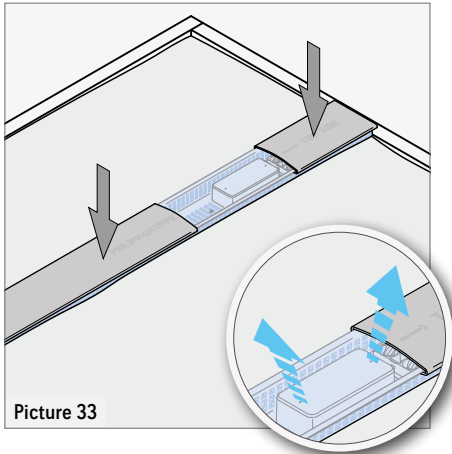


CONCRETING HEIGHT

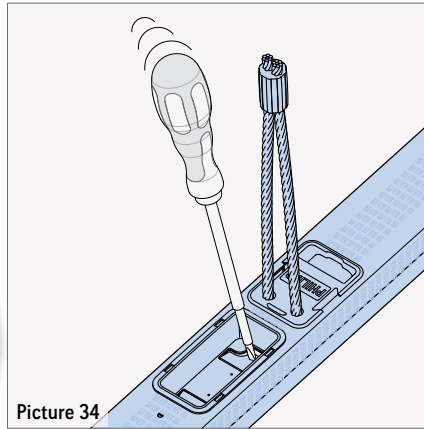
If Power Duo rails are installed for an upright production of wall-like elements (e. g. battery moulds) depending on the concreting height resulting high loads on the rails due to the concrete pressure are to be expected. To prevent deformations of the profile and/or concrete penetration additional measures should be taken.

For further information please contact our technical hotline (e-mail: technik@philipp-gruppe.de, phone: +49 6021 4027-318).

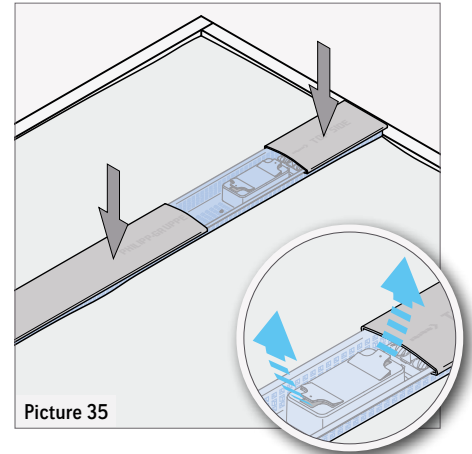
INSTALLATION



Picture 33



Picture 34



Picture 35

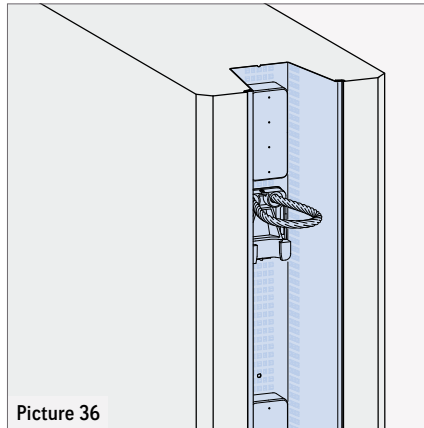
CONCRETING

During concreting of elements attention must be paid to the ventilation of all plastic recesses to guarantee a complete filling with concrete.

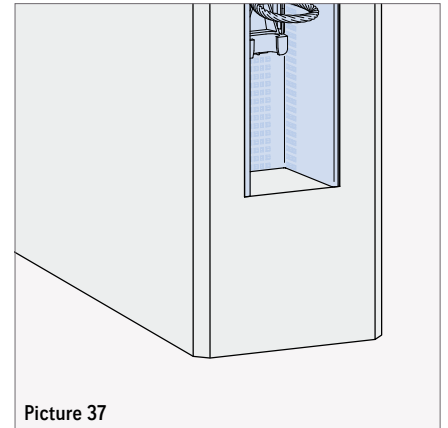
In order to ventilate a plastic recess box, e.g. when the Power Duo rails are installed on the concrete surface (plastic cover on the top, picture 33), it has four little holes on the top the air can pass off.

If necessary, the plastic recesses can be opened at the predetermined breaking point by using a spiky tool (e.g. screw driver - picture 34). Hence, a complete filling of the concrete into the recesses is guaranteed.

For elements with the same height it is recommended to start the installation at the upper elements edge (picture 36). So it is possible to concrete the rail-free part at the bottom of the element (picture 37).



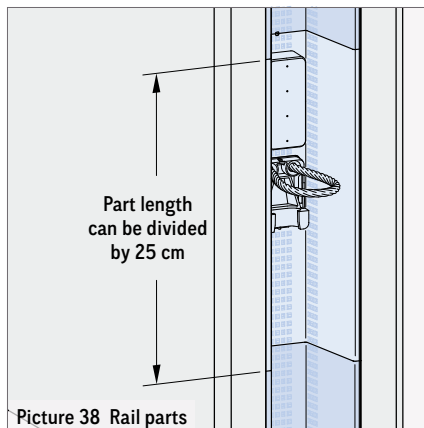
Picture 36



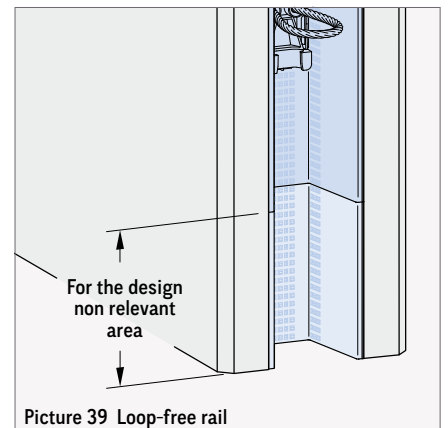
Picture 37

In order to get a continuous poured joint it is also possible to arrange the Power Duo in parts. However, these rail parts should be divided only in steps of 25 cm length. Thus, joints with Power Duo rails are only possible in steps of 25 cm length.

If the joint length cannot be divided by 25 cm the rail-free part can be completed with a loop-free rail (ref. no. 84VS20 and 84VS70) or timber (picture 40) to create a recess.



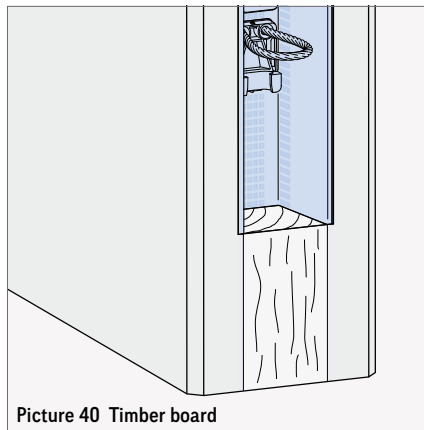
Picture 38 Rail parts



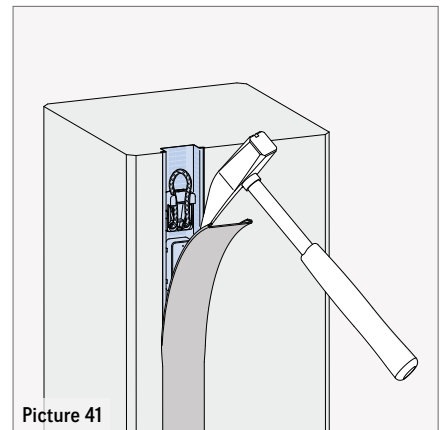
Picture 39 Loop-free rail

PREPARATION FOR MOUNTING

The plastic cover of the installed rail must be released at one end. Then, it can be removed easily from the rail (picture 41).

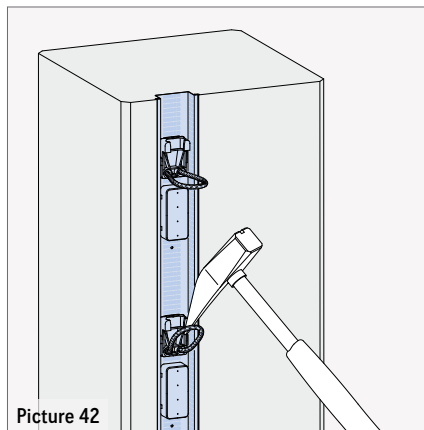


Picture 40 Timber board

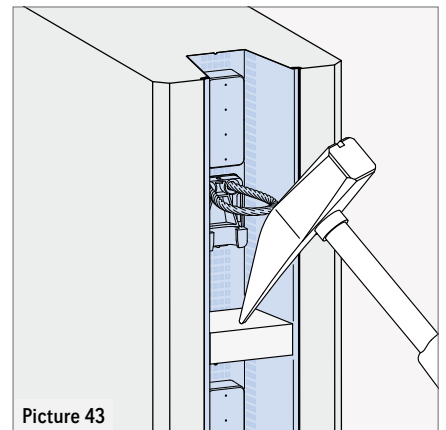


Picture 41

Now, the wire loops of the flat and the deep rail have to be folded out right-angled to the rail (picture 42).



Picture 42



Picture 43



POLYSTYRENE SPACERS

From the deep Power Duo rail the polystyrene spacers have to be removed (picture 43).

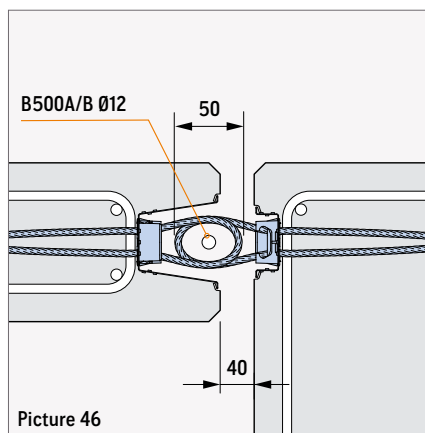
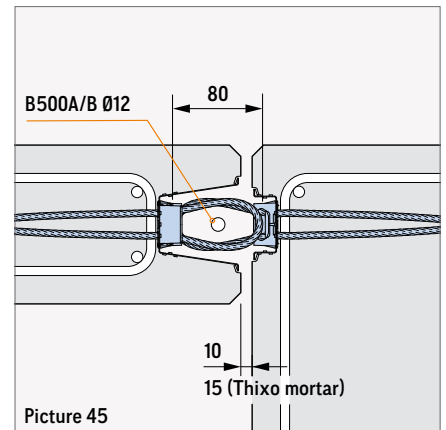
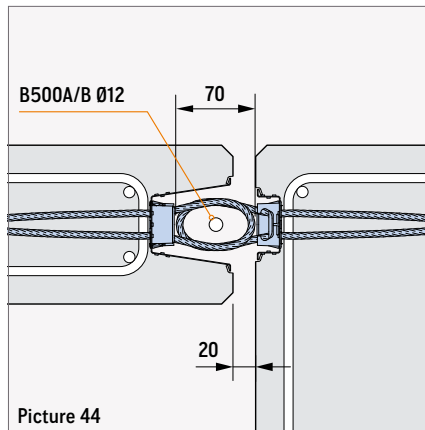
MOUNTING

MOUNTING OF THE PRECAST ELEMENTS

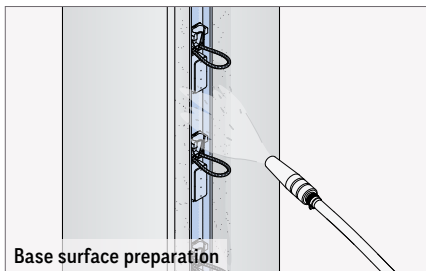
If the Power Duo rails are installed correctly the loops overlap horizontally with the nominal dimension of 70 mm as shown in picture 44 and lie on top of each other in vertical direction.

Nevertheless, the Power Duo system approval already considers horizontal and vertical mounting tolerances. The maximum permissible horizontal deviations are shown in picture 45 and 46.

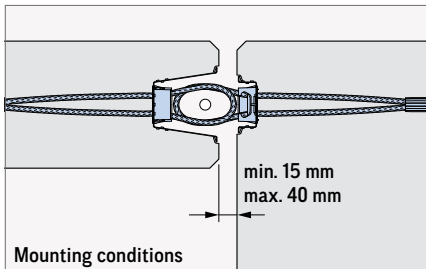
Prior the filling of the joint a reinforcing bar ($\varnothing 12$ mm) shall be positioned along the entire joint length through the overlapping loops. The correct installation is to be checked visually.



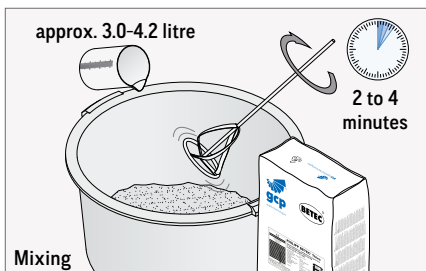
PHILIPP-BETEC® THIXO MORTAR



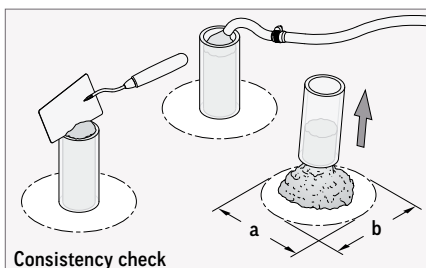
Base surface preparation



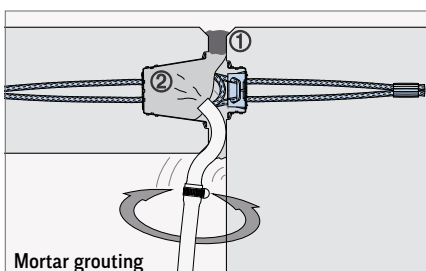
Mounting conditions



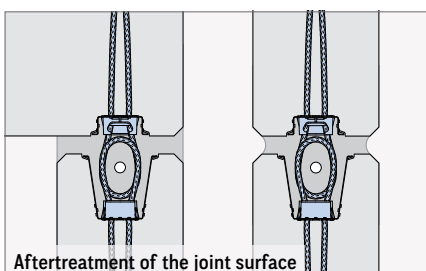
Mixing



Consistency check



Mortar grouting



Aftertreatment of the joint surface

GROUTING WITH PHILIPP-BETEC® THIXO MORTAR OR BETEC® THIXO MORTAR

The system-approved, high-quality, stiff-plastic and thixotropically adjusted PHILIPP-BETEC® mortar is ready for use and consists of approved raw material components. More details can be found in the approval (no. Z-21.8-2028).

BASE SURFACE PREPARATION

The concrete surface has to be cleaned from dirt, grease and adhesion-reducing parts and layers until the core concrete is exposed. A pre-watering of the concrete surface must be done until the water saturation is reached. At the time of the joint filling the concrete surface shall only look pale damp, stagnant water must be removed.

MOUNTING CONDITIONS

The distance of 15 - 40 mm between the concrete elements must be taken attention to. Both the temperature of the concrete elements and the processing temperature is set between +5° and +30 °C. With lower temperatures specific measures in wintertime must be started.

MIXING PROCESS

The PHILIPP-BETEC® materials are stirred in a suitable mixing machine (e.g. compulsory mixer). Depending on the mixer the mixing time is different, as a rule between 2-4 minutes. A homogeneous, lump-free mixture is to be produced. Normally, 4/5 of the required amount of water is filled in, the powder component is added, the mixture is mixed for approx. 2 minutes and then the remaining water is added. Finally, the mixture is mixed for 1-2 minutes again. Then, the grouting starts immediately.

CONSISTENCY CHECK

The flow diameter $(a + b) / 2$ for the stiff-plastic PHILIPP-BETEC® Thixo mortar shall be greater than 15 cm and less than 19 cm. Corresponding consistency is dependent on the amount of water added, the mixing intensity and powder temperature. At high temperatures the mortar hardens faster. According to EN 1015-3 the flow diameter is determined with a defined funnel.

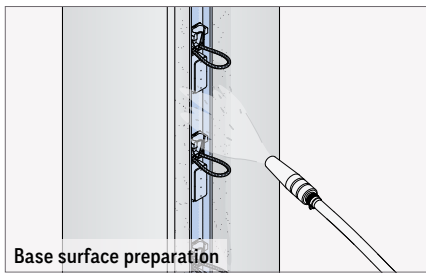
MORTAR GROUTING

Grouting starts immediately after the mixing process is finished. For this suitable, electrically operated screw pumps are used. First, one of the two joint flanks is closed resp. sealed. Usually, a sealing cord resp. sealing hose or the Thixo mortar itself can be used here ①. The grouting is then done slowly and continuously from the bottom to the top ②. A hose end suitable for the grouting (e.g. bent or curved tube) has to be turned during grouting from the left to the right (alternating) in order to ensure a filling without any voids.

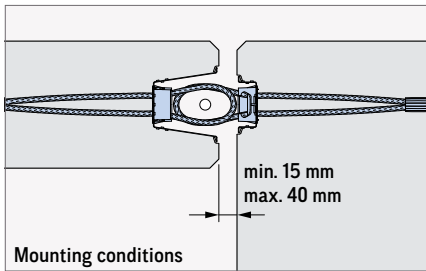
AFTERTREATMENT OF THE JOINT SURFACE

After grouting the joint must be trowelled. This has to be done as long as the mortar is still fresh and not hardened.

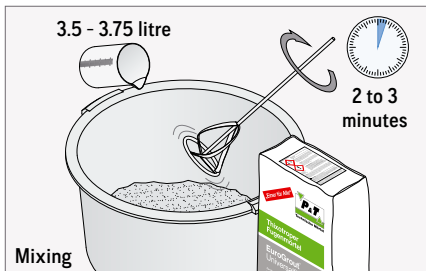
P&T EUROGROUT® UNIVERSALFÜLLER (THIXO MORTAR)



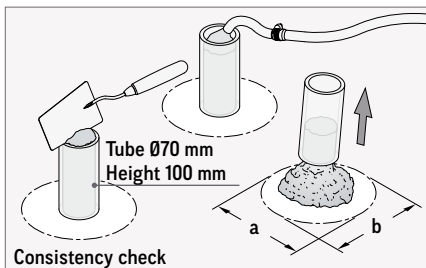
Base surface preparation



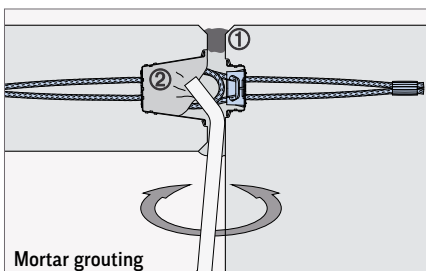
Mounting conditions



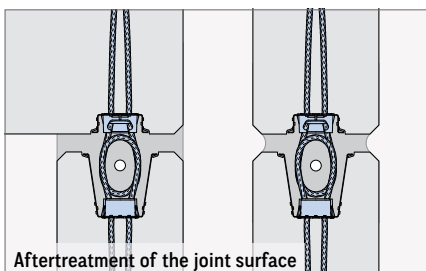
Mixing



Consistency check



Mortar grouting



Aftertreatment of the joint surface

GROUTING WITH EUROGROUT® UNIVERSALFÜLLER

The EuroGrout® Universalfüller is a mortar approved for the Power Duo System. Its dry mix can be mixed quickly and easily and is filled in the joint by using a mixing pump afterwards. As a sealing of the joint is not necessary the effort and therefore the time spent is reduced significantly.

BASE SURFACE PREPARATION

The joint flanks must be wetted before filling the Thixo mortar and pale damp-dried. Both the cross section of the joint and the flanks must meet the surface quality specified in the DIN. Adhesion-reducing parts in the joints have to be removed, the flanks must be free from dirt, cement slurry and grease.

MOUNTING CONDITIONS

The distance of 15 - 40 mm between the concrete elements must be taken attention to. The unit and processing temperature of the Universalfüller must comply with the latest corresponding DAFStb regulation.

MIXING PROCESS

The Universalfüller is designed for a machine processing with mixing pumps. A machining with small, handy mixing pumps allows long draws without changing the position of the pump frequently.

For a manual processing, the Universalfüller must be mixed in a compulsory mixer or with a slow-running stirrer. Here, 4/5 of the water amount is filled in the mixer, then the powder is added and after a short time of mixing the remaining water.

CONSISTENCY CHECK

The flow diameter $(a + b) / 2$ must be between 11 and 15 cm and must be determined according to the latest DAFStb regulation for cement based grouting concrete and mortar, appendix C. Instead of an ebonite ring a plastic tube (prepared with separating agent) with an inner diameter of $d = 70$ mm and a height of $h = 100$ mm can be used. The grouting of the plastic tube must be done by using the equipment mentioned below in "Mortar grouting".

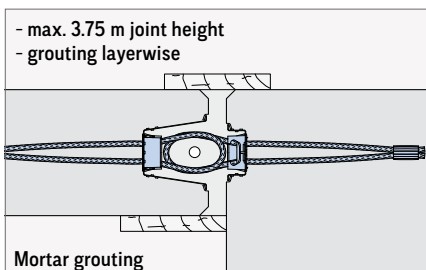
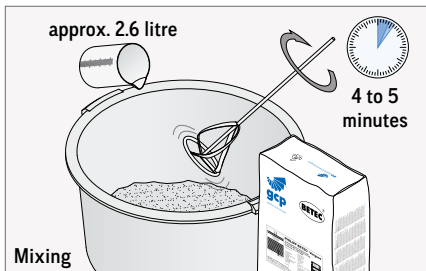
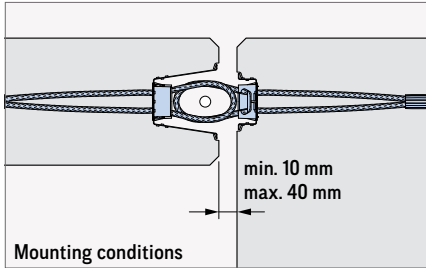
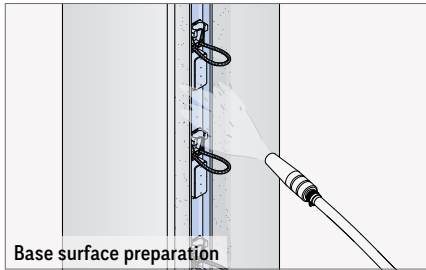
MORTAR GROUTING

Equipment used for the grouting is either a screw pump or a continuous mixer. First, one joint flank is closed completely. Usually, a sealing cord resp. sealing hose or the Thixo mortar itself can be used here ①. Then, the remaining space of the joint is filled from the opposite side and from the bottom to the top using a bent tube (according to the Technical Data Sheet EuroGrout® Universalfüller) ②. The tube has to be turned during grouting from the left to the right (alternating) in order to ensure a filling without any voids.

AFTERTREATMENT OF THE JOINT SURFACE

After grouting the joint must be trowelled. Waste material has to be removed for optical reasons before hardening.

PHILIPP-BETEC® GROUTING MORTAR



GROUTING

Bear in mind when grouting air must be able to leak. A careful vibration can avoid entrapped air. The processing time is about 30 minutes at 20 °C.

GROUTING WITH PHILIPP-BETEC® GROUTING MORTAR OR BETEC® GROUTING MORTAR

The PHILIPP-BETEC® system-approved, high-quality grouting mortar is a ready-to-use mortar. It consists of approved raw material components.

BASE SURFACE PREPARATION

The concrete surface has to be cleaned from dirt, grease and adhesion-reducing parts and layers until the core concrete is exposed. A pre-watering of the concrete surface must be done until the water saturation is reached. At the time of the joint filling the concrete surface shall only look pale damp, stagnant water must be removed.

PROPERTIES

The grouting mortar is free of chlorides. Because of the controlled swelling the mortar is shrink-free and thus guarantees a force-fit connection. It has a good adhesion to steel and concrete and shows no signs of segregation. Furthermore, it has a good pumpability as well as resistance to frost and de-icing salt. The grouting mortar is produced always in constant quality and is easy to process. Due to its flowable consistency the mortar is self-levelling and fills all accessible ventilated voids.

MIXING

Mixing can be done:

- » by a separated mixing in a compulsory mixer first and following pumping of the mixture with a suitable screw pump. A mixing time of approximately 4 - 5 minutes is to be aimed. First 4/5 of the water amount has to be given, the powder added and after 2 - 3 minutes the balance of the water added until the requested consistency is reached and a homogeneous matrix of mortar satisfies.
- » or by using a suitable continuous mixer. Hereby it must be proved that no reduction of the strength can arise.

MORTAR GROUTING

Both sides of the joint are sealed before the grouting mortar is filled into. Here, the use of a grouting hose with a hopper eases the process considerably. To reduce the concreting pressure it is recommended to fill in the grouting mortar in sections. (When using a joint tape be careful that it does not impede the grouting section or reduces the required concrete cover for the Power Duo System.)

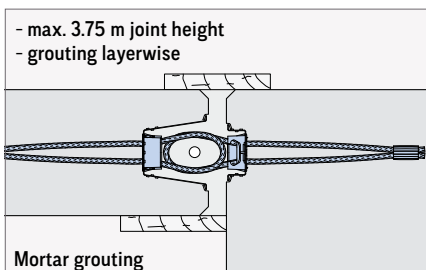
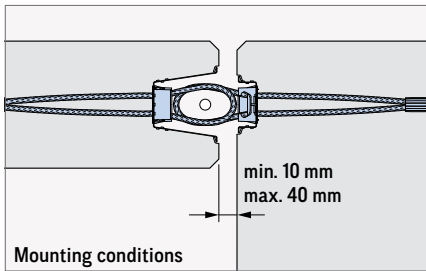
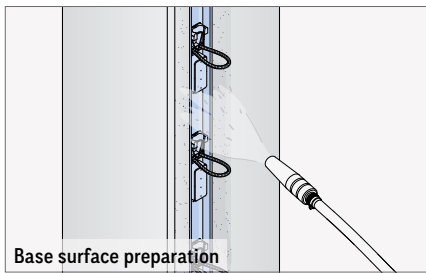
PROCESSING TEMPERATURE

The processing temperature of the grouting mortar is at least +5 °C and maximum +30 °C. With lower temperatures specific measures in wintertime must be started.

AFTERTREATMENT

It shall be prevented that the grouting mortar dries up too fast for at least three days after application. Appropriate measures are covering with plastic sheets, wet tissues or watering.

P&T EUROGROUT® VARIX (GROUTING MORTAR)



GROUTING

Bear in mind when grouting air must be able to leak. The processing time is approximately 60 minutes at 20 °C.

GROUTING WITH EUROGROUT® VARIX

The EuroGrout® Varix grouting mortar is a mortar approved for the Power Duo System. It consists of a ready-to-use dry mixture based on cement and is used to grout precast concrete elements. It is shrink-free, has a high early strength and a good flowability.

BASE SURFACE PREPARATION

The surface must be free from dirt, oils, greases etc. and cement slurry rests on the surface shall be removed. A board formwork or other equipment should be used to seal the joint. To improve the adhesion, the joint surface should be pre-wetted thoroughly.

PROPERTIES

The grouting mortar is free of chlorides. It has a good adhesion to steel and concrete and shows no signs of segregation. Furthermore, it has a good pumpability and resistance to frost and de-icing salt. The grouting mortar is produced in consistently high quality and is easy to process. Due to its flowable consistency the mortar is self-levelling and fills out all accessible venting hollow spaces.

MIXING

Approximately 4/5 of the mixing water is put into the mixer, then the grouting mortar is stirred completely. Afterwards the remaining water is used to adjust the consistency. The mixing time is 4 – 6 minutes depending on the type of mixing.

MORTAR GROUTING

Both sides of the joint are sealed before the grouting mortar is filled into. Here, the use of a grouting hose with a hopper eases the process considerably. To reduce the concreting pressure it is recommended to fill in the grouting mortar in sections. (When using a joint tape be careful that it does not impede the grouting section or reduces the required concrete cover for the Power Duo System.)

PROCESSING TEMPERATURE

The processing temperature of the grouting mortar is at least +5 °C and maximum +30 °C. With lower temperatures specific measures in wintertime must be started.

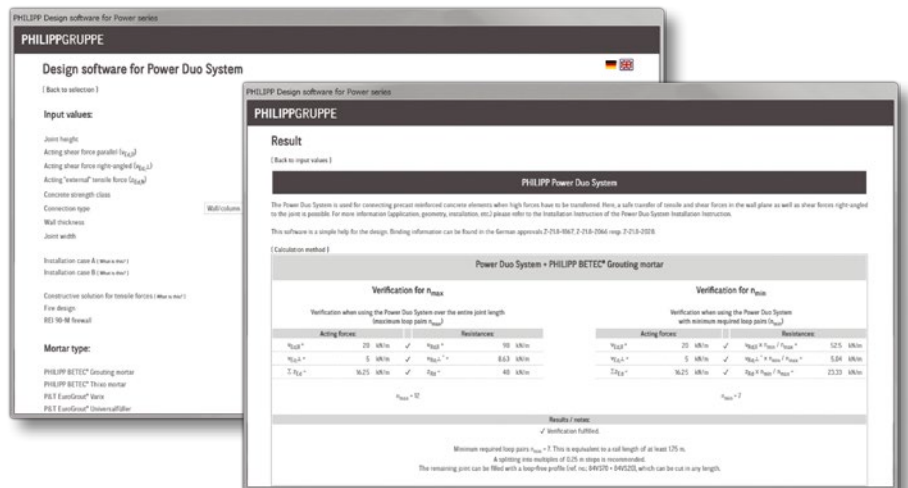
AFTERTREATMENT

It shall be prevented that the grouting mortar dries up too for three to five days after application. Appropriate measures are covering with plastic sheets, wet tissues or watering.

SOFTWARE / CAD

DESIGN

In order to design connections with the PHILIPP Power Duo System you can find an online design tool on our website (www.philipp-group.de), easy-to-use, understandable and without registration.



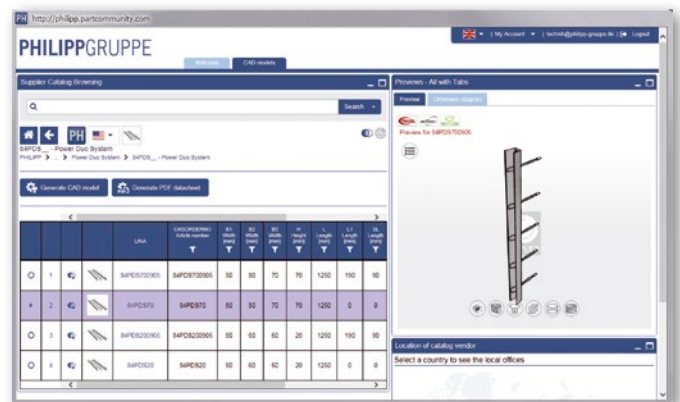
TEKLA STRUCTURES FROM COMPANY TRIMBLE SOLUTIONS GERMANY

Also for the CAD software Tekla Structures from Trimble a library of the Power Duo System is available. This includes 3-D models of the deep and the flat rail as well as rails without any loops, all in different lengths.

3-D MOUNTING PARTS

Time-saving during the planning process and support for the Building Information Modelling (BIM) method are becoming more and more important. This is the reason why the universal PHILIPP CAD library helps to work efficient on these matters.

- » More than 1,200 PHILIPP products are available as 3-D model
- » Universal CAD library with many export formats compatible for all CAD systems (e. g. IFC, DWG)
- » Free offer for all people involved in precast building
- » Time-saving in the design process because of ready-made models and views
- » Simply structured catalogue
- » More product details are provided
- » Standard PartCommunity:



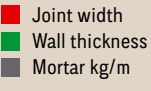
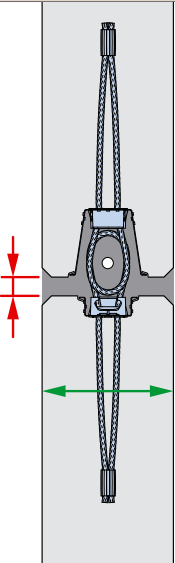
- » philipp.partcommunity.com
- » BIM specific PartCommunity: 3dfindit.com

GENERAL NOTES

TABLE 13: SITE CHECK LIST

| Step | What | Comment | Thixo mortar | Grouting mortar |
|------|-------------------------------------------------------|-----------------------------------------------------------------------------------------------------------|--------------|-----------------|
| 1 | Open the rail | Remove cover | ✓ | ✓ |
| 2 | Check of joint | Pay attention to a clean surface, when necessary clean again | ✓ | ✓ |
| 3 | Fold-out the connecting loops | Pay attention to the 90° position | ✓ | ✓ |
| 4 | Align concrete units | Pay attention to admissible tolerances | ✓ | ✓ |
| 5 | Install joint reinforcement | Along the entire length of the joint | ✓ | ✓ |
| 6 | Pre-wetting of joints | Improvement of adhesion | ✓ | ✓ |
| 7 | Sealing on both sides | Use formwork, timber boards or joint tapes | - | ✓ |
| 8 | Mortar grouting | Pay attention to the required ambient temperature, compacting as well as processing time and instructions | ✓ | ✓ |
| 9 | Filling the joint | Screw pump or continuous mixer | ✓ | - |
| 10 | Demoulding | After hardening of the mortar | - | ✓ |
| 11 | Aftertreatment of joint | Protection against too fast drying | ✓ | ✓ |
| 12 | Aftertreatment of the joint before mortar is hardened | Joint has to be trowelled | ✓ | - |

TABLE 14: MORTAR CONSUMPTION PER 1 M OF JOINT (KG/M)

| Wall thickness (cm) | BETEC® Grouting mortar | | | | BETEC® Thixo mortar | | | |  |  | Wall thickness (cm) | EuroGrout® Varix | | | | EuroGrout® Universalfüller | | | |
|---------------------|------------------------|------|------|------|---------------------|------|------|------|------------------------------------------------------------------------------------|-------------------------------------------------------------------------------------|---------------------|------------------|------|------|------|----------------------------|------|------|-----|
| | 1.0 | 2.0 | 3.0 | 4.0 | 1.0 | 2.0 | 3.0 | 4.0 | | | | 1.0 | 2.0 | 3.0 | 4.0 | 1.0 | 2.0 | 3.0 | 4.0 |
| 12 | - | - | - | - | - | - | - | - | | 12 | 11.7 | 14.5 | 17.3 | 20.1 | 10.6 | 13.1 | 15.7 | 18.2 | |
| 13 | - | - | - | - | - | - | - | - | | 13 | 11.9 | 14.7 | 17.5 | 20.3 | 10.8 | 13.3 | 15.9 | 18.4 | |
| 14 | 11.6 | 14.3 | 17.0 | 19.7 | 11.6 | 14.3 | 17.0 | 19.7 | | 14 | 12.1 | 14.9 | 17.7 | 20.5 | 11.0 | 13.5 | 16.1 | 18.6 | |
| 15 | 11.8 | 14.7 | 17.6 | 20.5 | 11.8 | 14.7 | 17.6 | 20.5 | | 15 | 12.3 | 15.3 | 18.3 | 21.3 | 11.2 | 13.9 | 16.6 | 19.3 | |
| 16 | 12.0 | 15.1 | 18.2 | 21.2 | 12.0 | 15.1 | 18.2 | 21.2 | | 16 | 12.5 | 15.7 | 18.9 | 22.1 | 11.3 | 14.3 | 17.2 | 20.1 | |
| 17 | 12.2 | 15.5 | 18.7 | 22.0 | 12.2 | 15.5 | 18.7 | 22.0 | | 17 | 12.7 | 16.1 | 19.5 | 22.9 | 11.5 | 14.6 | 17.7 | 20.8 | |
| 18 | 12.4 | 15.8 | 19.3 | 22.8 | 12.4 | 15.8 | 19.3 | 22.8 | | 18 | 12.9 | 16.5 | 20.1 | 23.7 | 11.7 | 15.0 | 18.3 | 21.5 | |
| 19 | 12.6 | 16.2 | 19.9 | 23.5 | 12.6 | 16.2 | 19.9 | 23.5 | | 19 | 13.1 | 16.9 | 20.7 | 24.5 | 11.9 | 15.3 | 18.8 | 22.3 | |
| 20 | 12.8 | 16.6 | 20.5 | 24.3 | 12.8 | 16.6 | 20.5 | 24.3 | | 20 | 13.3 | 17.3 | 21.3 | 25.3 | 12.1 | 15.7 | 19.3 | 23.0 | |
| 21 | 13.0 | 17.0 | 21.0 | 25.1 | 13.0 | 17.0 | 21.0 | 25.1 | | 21 | 13.5 | 17.7 | 21.9 | 26.1 | 12.3 | 16.1 | 19.9 | 23.7 | |
| 22 | 13.2 | 17.4 | 21.6 | 25.8 | 13.2 | 17.4 | 21.6 | 25.8 | | 22 | 13.7 | 18.1 | 22.5 | 26.9 | 12.4 | 16.4 | 20.4 | 24.4 | |
| 23 | 13.3 | 17.8 | 22.2 | 26.6 | 13.3 | 17.8 | 22.2 | 26.6 | | 23 | 13.9 | 18.5 | 23.1 | 27.7 | 12.6 | 16.8 | 21.0 | 25.2 | |
| 24 | 13.5 | 18.2 | 22.8 | 27.4 | 13.5 | 18.2 | 22.8 | 27.4 | | 24 | 14.1 | 18.9 | 23.7 | 28.5 | 12.8 | 17.2 | 21.5 | 25.9 | |
| 25 | 13.7 | 18.5 | 23.3 | 28.2 | 13.7 | 18.5 | 23.3 | 28.2 | | 25 | 14.3 | 19.3 | 24.3 | 29.3 | 13.0 | 17.5 | 22.1 | 26.6 | |
| 26 | 13.9 | 18.9 | 23.9 | 28.9 | 13.9 | 18.9 | 23.9 | 28.9 | | 26 | 14.5 | 19.7 | 24.9 | 30.1 | 13.2 | 17.9 | 22.6 | 27.3 | |
| 27 | 14.1 | 19.3 | 24.5 | 29.7 | 14.1 | 19.3 | 24.5 | 29.7 | | 27 | 14.7 | 20.1 | 25.5 | 30.9 | 13.3 | 18.3 | 23.2 | 28.1 | |
| 28 | 14.3 | 19.7 | 25.1 | 30.5 | 14.3 | 19.7 | 25.1 | 30.5 | | 28 | 14.9 | 20.5 | 26.1 | 31.7 | 13.5 | 18.6 | 23.7 | 28.8 | |
| 29 | 14.5 | 20.1 | 25.7 | 31.2 | 14.5 | 20.1 | 25.7 | 31.2 | | 29 | 15.1 | 20.9 | 26.7 | 32.5 | 13.7 | 19.0 | 24.3 | 29.5 | |
| 30 | 14.7 | 20.5 | 26.2 | 32.0 | 14.7 | 20.5 | 26.2 | 32.0 | | 30 | 15.3 | 21.3 | 27.3 | 33.3 | 13.9 | 19.3 | 24.8 | 30.3 | |

Given consumption data are only guide values.

GCP Germany GmbH

Phone: +49 201 86 147-0

E-mail: info.betec@gcpat.com

Website: <https://gcpat.de/de-de>



P&T TECHNISCHE MÖRTEL GMBH & CO. KG

Phone: +49 2131 56 69-0

E-mail: info@eurogrout.de

Website: <https://www.eurogrout.de/de>



Please refer also to the approvals of the Power Duo system. You can find all at www.philipp-group.de or are available on request.

For further information about the Thixo and grouting mortars, please follow the links given:



[BETEC Grouting](#)



[BETEC Thixo](#)



[EuroGrout Varix](#)



[EuroGrout Universalfüller](#)

HEADQUARTERS

Lilienthalstraße 7-9
63741 Aschaffenburg
☎ +49 6021 40 27-0
✉ info@philipp-gruppe.de

PRODUCTION AND LOGISTICS

Hauptstraße 204
63814 Mainaschaff
☎ +49 6021 40 27-0
✉ info@philipp-gruppe.de

OFFICE COSWIG

Roßlauer Straße 70
06869 Coswig/Anhalt
☎ +49 34903 6 94-0
✉ info@philipp-gruppe.de

OFFICE NEUSS

Sperberweg 37
41468 Neuss
☎ +49 2131 3 59 18-0
✉ info@philipp-gruppe.de

OFFICE TANNHEIM

Robert-Bosch-Weg 12
88459 Tannheim
☎ +49 8395 8 13 35-0
✉ info@philipp-gruppe.de

PHILIPP VERTRIEBS GMBH

Pfaffing 36
5760 Saalfelden / Salzburg
☎ +43 6582 7 04 01
✉ info@philipp-gruppe.at



HEADQUARTERS Aschaffenburg



Visit us! www.philipp-group.de