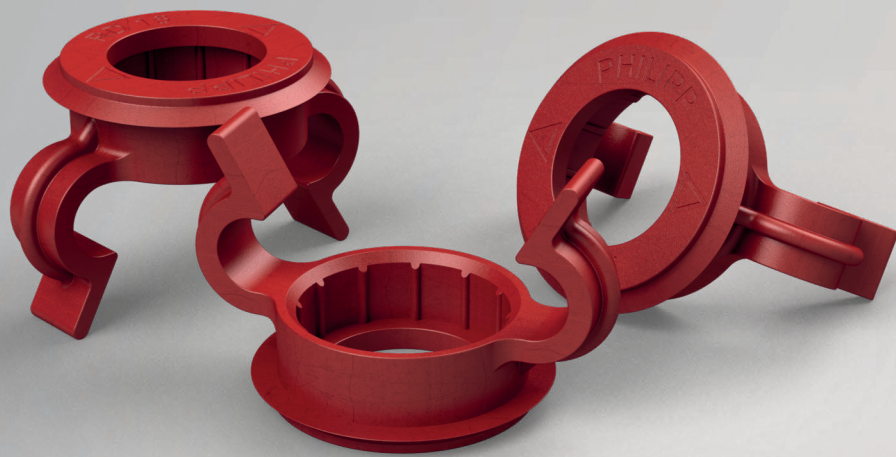


# Marking ring with clip



# Our products from the division BUILDING SOLUTIONS

## SERVICES

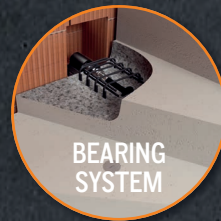
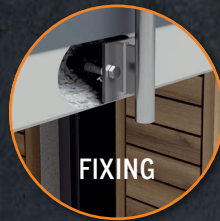
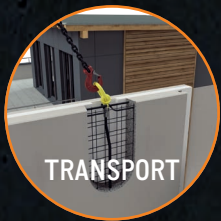
- » On-site tests -> we ensure that your requirements are properly covered by our planning.
- » Test reports -> for your safety and documentation.
- » Trainings -> the knowledge of your employees from planning and production is enhanced by our experts on site, online or via webinar.
- » Planning support -> latest design software, planning documents, CAD data and much more can be downloaded any time from [www.philipp-group.de](http://www.philipp-group.de).

## HIGH DEMANDS ON PRODUCT SAFETY AND PRACTICALITY

- » Close cooperation with notified bodies and - if necessary - approval of our solutions.

## TECHNICAL DEPARTMENT

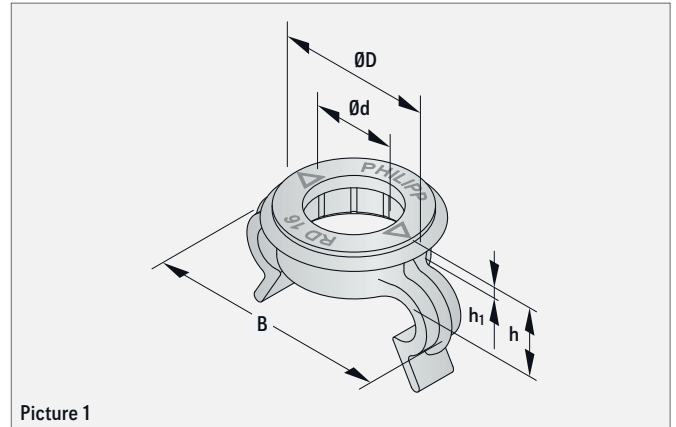
- » Our expert-team will support you at any time during your planning phase with detailed advice.



## GENERAL PRODUCT INFORMATION

The Marking ring with clip is part of the PHILIPP Threaded anchor system. It is made of plastic and is used for marking the installed anchor as well as to fix additional reinforcement to the right position of the threaded insert (reinforcement for lateral or diagonal tension. see Picture 4).

Due to the colour-coded marking a quick and correct classification of the corresponding lifting device is ensured.



Picture 1



### NOTE!

Marking ring with clip only suitable for Threaded transport anchors in version galvanised.

TABLE 1: DIMENSIONS OF MARKING RING WITH CLIP

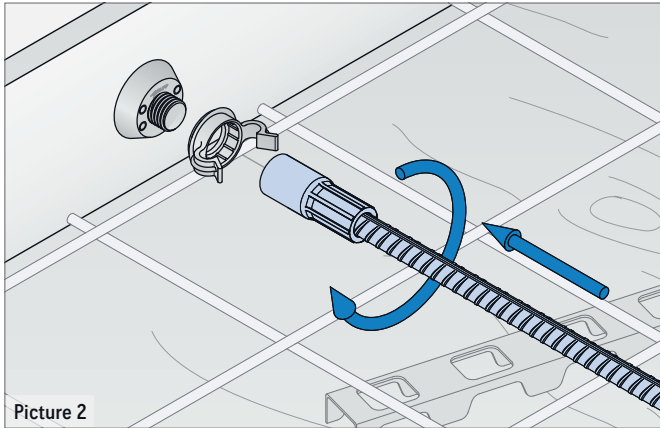
Ref. no.	Type RD/M	ØD (mm)	Ød (mm)	B (mm)	h (mm)	h <sub>1</sub> (mm)
74KR12CLIP	12	26	13	34	10	2.5
74KR16CLIP	16	31	17	45	10	2.5
74KR20CLIP	20	37	21	55	10	2.5
74KR24CLIP	24	41	25	63	10	2.5
74KR30CLIP	30	52	31	72	10	2.5
74KR36CLIP	36	57	37	84	10	2.5
74KR42CLIP	42	64	43	95	13	2.5
74KR52CLIP	52	80	53	117	13	2.5

# PHILIPP Marking ring with clip

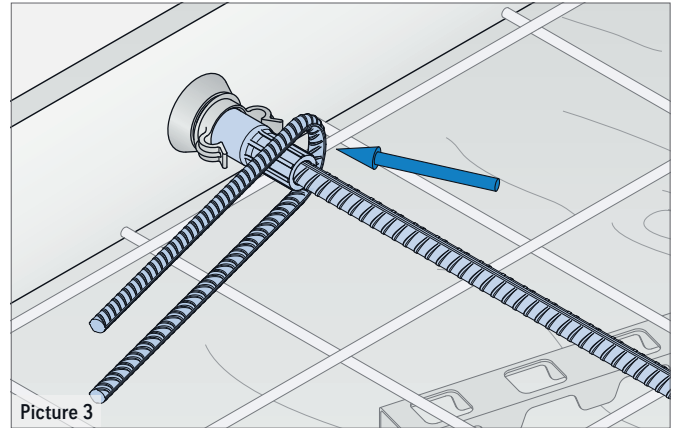
## INSTALLATION

The Marking ring is put over the threaded insert prior the installation of the anchor. Finally the Threaded transport anchor is fixed to the mould with a corresponding accessory (e.g. Plastic recess former KHN).

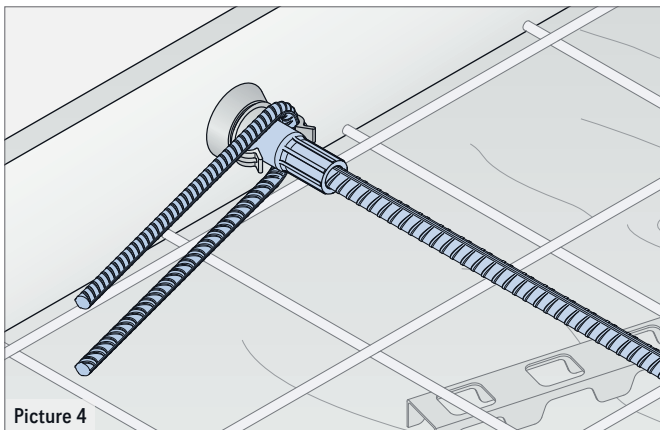
Here it must be paid attention that the Marking ring with clip points to the right direction. Now the required reinforcement (e.g. rebar for diagonal tension) can be pressed into the clip and fixed to the reinforcement.



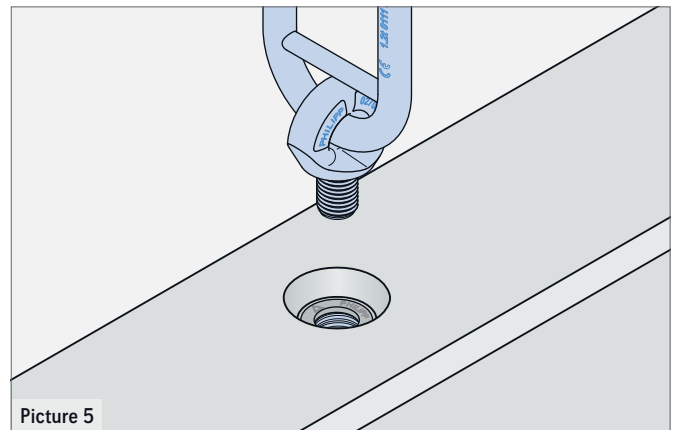
Picture 2



Picture 3

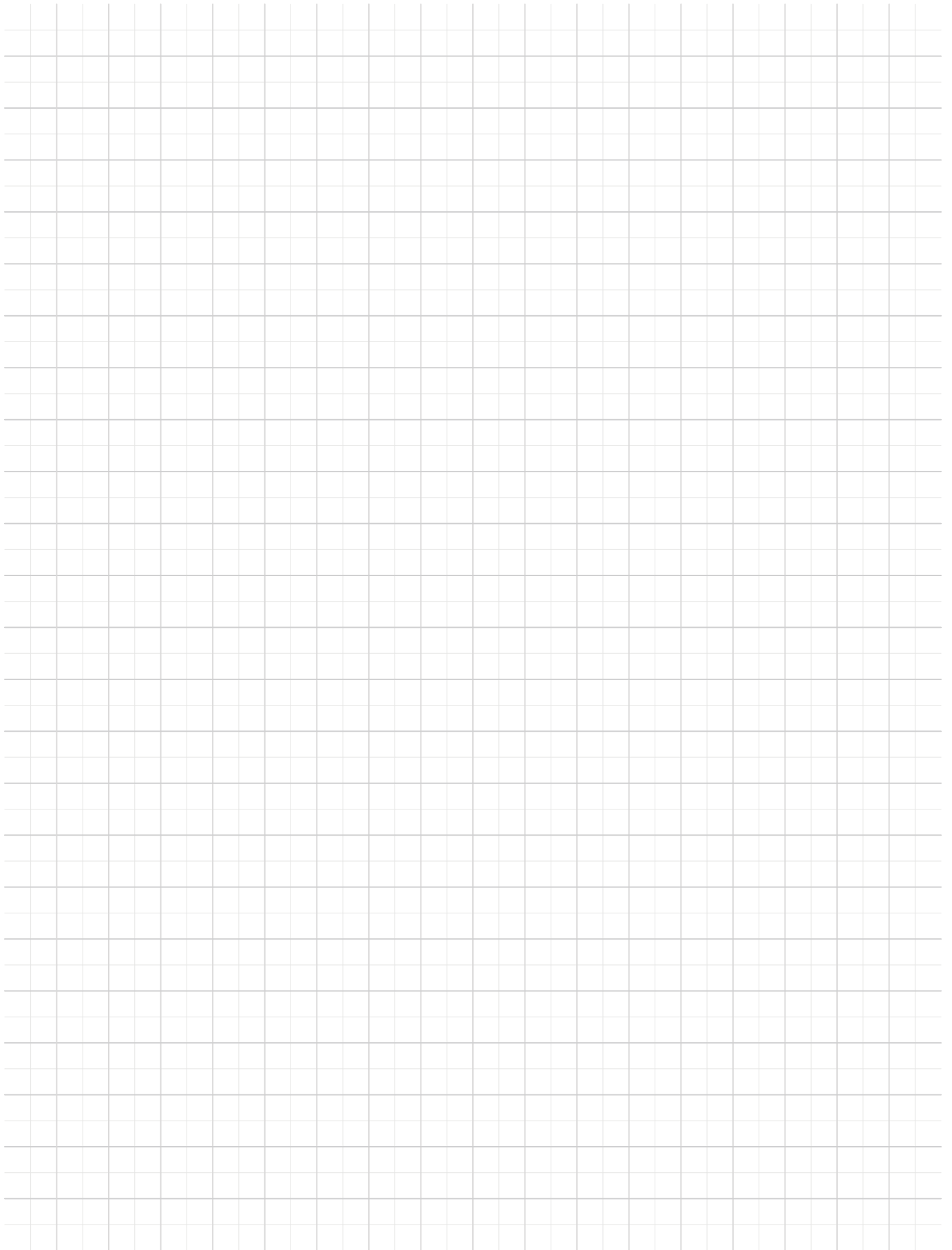


Picture 4



Picture 5

## NOTES



## HEADQUARTERS

Lilienthalstraße 7-9  
63741 Aschaffenburg  
☎ +49 6021 40 27-0  
✉ info@philipp-gruppe.de

## PRODUCTION AND LOGISTICS

Hauptstraße 204  
63814 Mainaschaff  
☎ +49 6021 40 27-0  
✉ info@philipp-gruppe.de

## OFFICE COSWIG

Roßlauer Straße 70  
06869 Coswig / Anhalt  
☎ +49 34903 6 94-0  
✉ info@philipp-gruppe.de

## OFFICE NEUSS

Sperberweg 37  
41468 Neuss  
☎ +49 2131 3 59 18-0  
✉ info@philipp-gruppe.de

## OFFICE TANNHEIM

Robert-Bosch-Weg 12  
88459 Tannheim / Allgäu  
☎ +49 8395 8 13 35-0  
✉ info@philipp-gruppe.de

## PHILIPP VERTRIEBS GMBH

Pfaffing 36  
5760 Saalfelden / Salzburg  
☎ +43 6582 7 04 01  
✉ info@philipp-gruppe.at



HEADQUARTERS Aschaffenburg



Visit us! [www.philipp-group.de](http://www.philipp-group.de)