

Loop anchor - offset



VB3-T-086-en - 01/24 - PDF

Data sheet

Our products from the division BUILDING SOLUTIONS

SERVICES

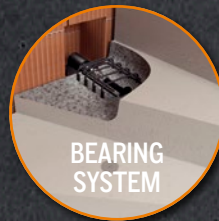
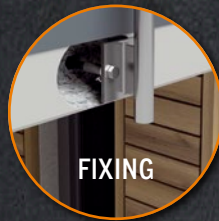
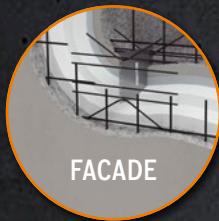
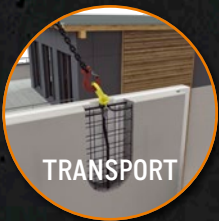
- » On-site tests -> we ensure that your requirements are properly covered by our planning.
- » Test reports -> for your safety and documentation.
- » Trainings -> the knowledge of your employees from planning and production is enhanced by our experts on site, online or via webinar.
- » Planning support -> latest design software, planning documents, CAD data and much more can be downloaded any time from www.philipp-group.de.

HIGH DEMANDS ON PRODUCT SAFETY AND PRACTICALITY

- » Close cooperation with notified bodies and - if necessary - approval of our solutions.

TECHNICAL DEPARTMENT

- » Our expert-team will support you at any time during your planning phase with detailed advice.



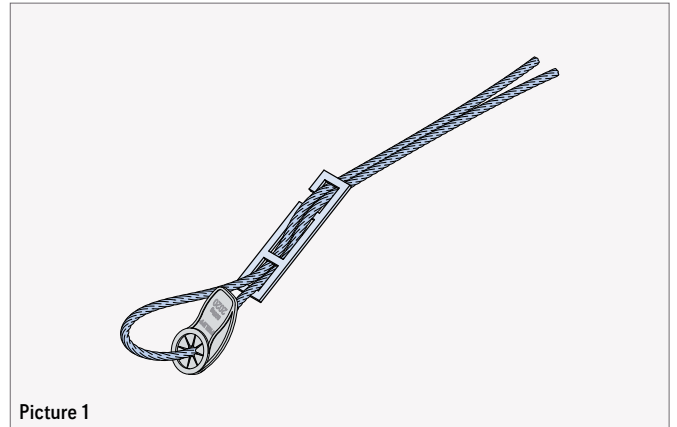
GENERAL PRODUCT INFORMATION

The Loop anchor with offset is part of the PHILIPP Transport anchor system.

Its use requires the compliance with the General Installation Instruction.

Loop anchors with offset are designed for the transport of precast concrete units only. Multiple use within the transport chain (from production to installation of the unit) means no repeated usage. A repeated use (e.g. ballasts for cranes) is not allowed.

Depending on the individual application and load direction, it might be necessary to contact our technical department.

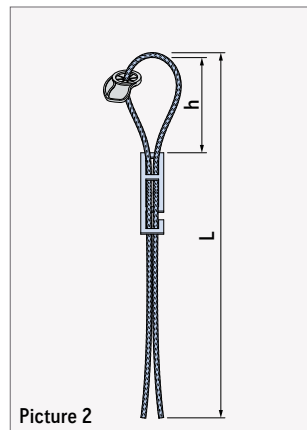


Picture 1

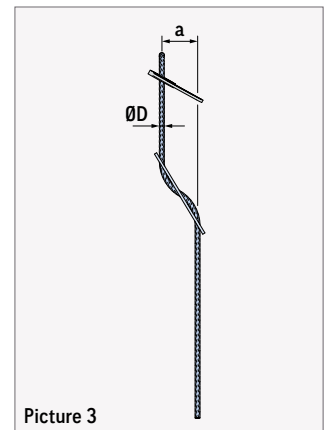


FURTHER QUESTIONS

If you have further questions, please have a look at our website www.philipp-group.de or call our technical department under +49 6021 40 27-318 resp. send an email to technik@philipp-gruppe.de.





Picture 2



Picture 3

TABLE 1: DIMENSIONS

Ref. no.	Type	perm. F_z ① (kN)	Dimensions				Colour code
			$\varnothing D$ ② (mm)	L ③ (mm)	a (mm)	h ③ (mm)	
44SA06	 AS 0.8	8.0	6.0	430	40	110	Pure white
44SA07	 AS 1.2	12.0	7.0	430	40	110	Flame red

① Load bearing capacity of steel for axial tension. The weight of 1.0 t corresponds to 10.0 kN.

② Rope diameter $\varnothing D$ is a standard value and can vary depending on the wire rope construction.

③ Dimensions H and B are standard values and can vary.

PHILIPP Loop anchor with offset

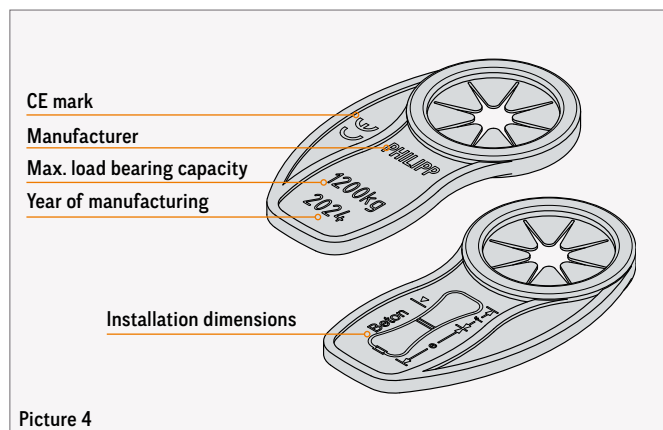
GENERAL PRODUCT INFORMATION

MATERIALS

Loop anchor with offset consists of a galvanized wire rope loop fixed on a bright steel strap. This strap forms the actual offset of the Loop anchor.

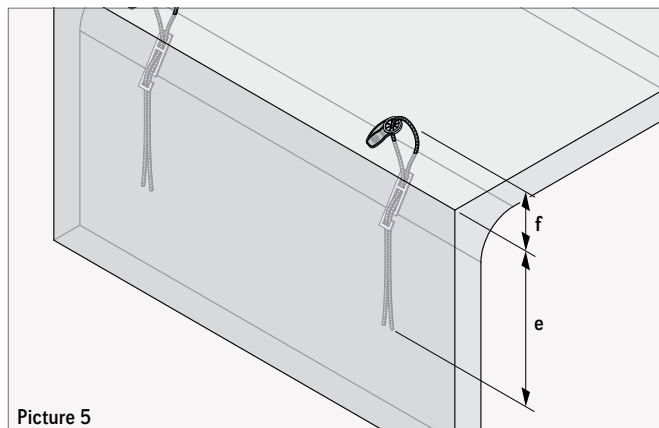
MARKING

In order to identify the different types of the Loop anchor with offset visually they are marked with a coloured tag. This tag must also be visible at the segment sticking out after concreting. With its fins the tag guarantees an easy fixing to this part of the Loop anchor sticking out of the element.



Picture 4

INSTALLATION DIMENSIONS



Picture 5

TABLE 2: INSTALLATION DIMENSIONS

Type	Dimensions	
	e (mm)	f (mm)
AS 0.8	375	55
AS 1.2	375	55



EC-DECLARATION OF CONFORMITY

The EC Declaration of Conformity (DoC) of the Loop anchor with offset is available on request or can be downloaded from our website www.philipp-group.de.



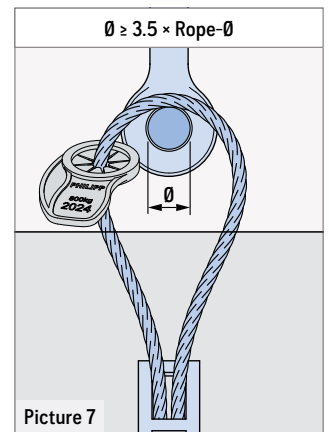
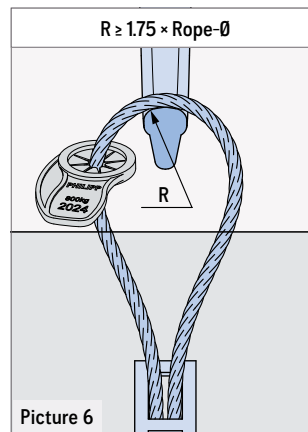
SAFETY

SAFETY NOTICES

By using too small, too large or sharp-edged hooks the lifetime of the wire rope loop will be reduced. The transition radii of used hooks must be at least 1.75 times of the wire rope diameter of the Loop anchor (Picture 6). Using a shackle the pin must be at least 3.5 times of the wire rope diameter of the Loop anchor (picture 7).

During use of Loop anchor with offset the following must be considered:

- » The use of damaged Loop anchors with broken strands, contusions, kinks and corrosion pits is not allowed.
- » Contact of the Loop anchor with offset with acids and alkalis must be avoided.
- » Lever arms caused by rotating, tilting and swinging which result in local blow-out failures in the concrete or broken wire ropes are inadmissible!



STRONG HEAT INFLUENCES NOT PERMITTED

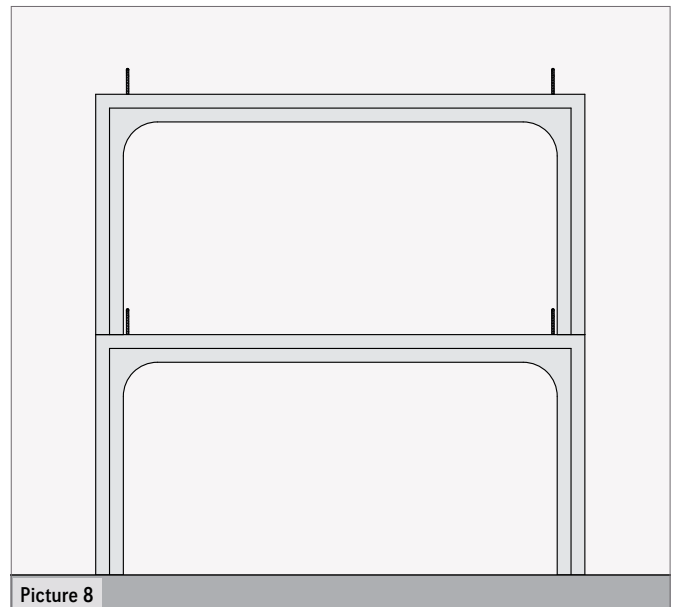
Welding or other strong heat influences on the Loop anchors with offset are not allowed at all.

STORAGE OF THE PRECAST UNITS

During storage of the concrete units please make sure that the Loop anchors with offset are not bent in any way.

These lifting anchors are particularly suitable for stacking U-shaped prefabricated parts without the lifting anchors colliding with a component above.

An outdoor storage of the concrete units can lead to corrosion and as a result to a reduction of the bearing capacity.



Picture 8



TRANSPORT NO LONGER PERMITTED

If a significant corrosion appears to the installed Loop anchors with offset they cannot be used for lifting anymore.



**PHILIPP GmbH
Headquarters**

Lilienthalstraße 7-9
63741 Aschaffenburg

☎ + 49 6021 40 27-0

✉ info@philipp-gruppe.de

**PHILIPP GmbH
Production and logistics**

Hauptstraße 204
63814 Mainaschaff

☎ + 49 6021 40 27-0

✉ info@philipp-gruppe.de

**PHILIPP GmbH
Office Coswig**

Roßlauer Straße 70
06869 Coswig/Anhalt

☎ + 49 34903 6 94-0

✉ info@philipp-gruppe.de

**PHILIPP GmbH
Office Neuss**

Sperberweg 37
41468 Neuss

☎ + 49 2131 3 59 18-0

✉ info@philipp-gruppe.de



PHILIPP Vertriebs GmbH

Pfaffing 36
5760 Saalfelden / Salzburg

☎ + 43 6582 7 04 01

✉ info@philipp-gruppe.at



Visit us!

www.philipp-group.de